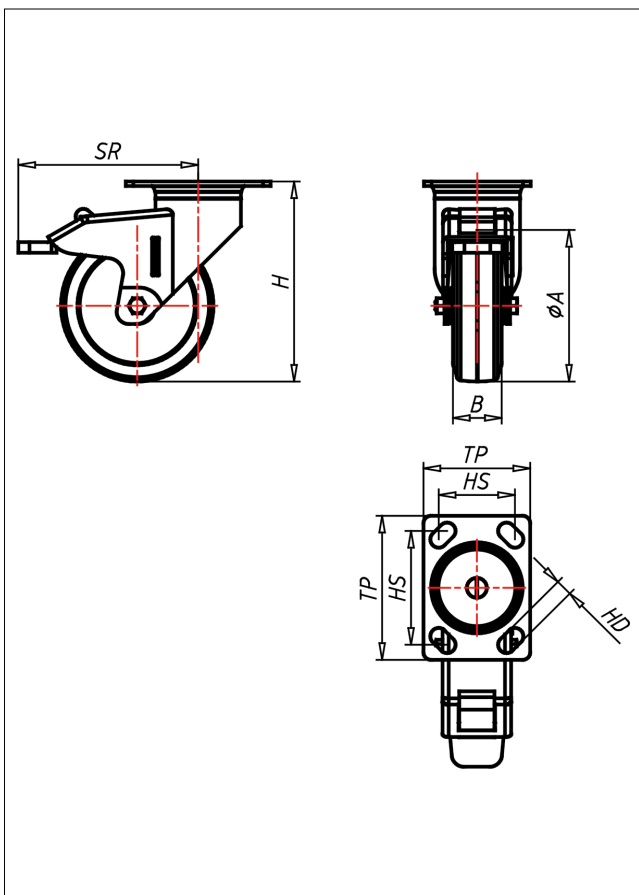




331LXP-EL

Lenkrolle mit Totalfeststeller



330LXP-EL



NEU!

| 330LXP-EL | 331LXP-EL | | | | | | | | | | | | | | | | | | | | | |
|--|--|--|-------------------------------|--------------------------|-------------------------------------|--------------------------|------------------------------|--------------------------|-------------------------------------|--------------------------|----------------------|-------------------------------------|--------------------------|--------------------------|--------------------------------|--------------------------|-------------------------------------|--------------------------|-----------------------------------|--------------------------|-------------------------------------|--------------------------|
| <p>Lenkrolle Swivel Castor</p>  | <p>Lenkrolle mit Totalfeststeller Swivel Castor with total lock</p>  | | | | | | | | | | | | | | | | | | | | | |
| <ul style="list-style-type: none"> elektrisch leitfähig Widerstand <math><10^{-2}</math> geruscharm Lauf großer Fahrkomfort beständig gegen verdünnte Säuren <p>Fullgummi oder TPE spurtrot Folge Stahlblech oder Polyamid 6 → Seite/Page 355</p> | <p>zweifaches Kugellager - vernietet, Radachse verschraubt - gesichert, alle Teile aus Edelstahl rostfrei</p> <p>→ Seite/Page 185</p> | <p>Auswahlhilfe Selection Criteria</p> <table border="0"> <tr> <td>leicht lenkend/swivels easily</td> <td><input type="checkbox"/></td> <td><input checked="" type="checkbox"/></td> <td><input type="checkbox"/></td> </tr> <tr> <td>verschleißarm/wear resistant</td> <td><input type="checkbox"/></td> <td><input checked="" type="checkbox"/></td> <td><input type="checkbox"/></td> </tr> <tr> <td>stoßfest/shock proof</td> <td><input checked="" type="checkbox"/></td> <td><input type="checkbox"/></td> <td><input type="checkbox"/></td> </tr> <tr> <td>bodenschonend/floor protective</td> <td><input type="checkbox"/></td> <td><input checked="" type="checkbox"/></td> <td><input type="checkbox"/></td> </tr> <tr> <td>witterungsbeständig/weather proof</td> <td><input type="checkbox"/></td> <td><input checked="" type="checkbox"/></td> <td><input type="checkbox"/></td> </tr> </table> | leicht lenkend/swivels easily | <input type="checkbox"/> | <input checked="" type="checkbox"/> | <input type="checkbox"/> | verschleißarm/wear resistant | <input type="checkbox"/> | <input checked="" type="checkbox"/> | <input type="checkbox"/> | stoßfest/shock proof | <input checked="" type="checkbox"/> | <input type="checkbox"/> | <input type="checkbox"/> | bodenschonend/floor protective | <input type="checkbox"/> | <input checked="" type="checkbox"/> | <input type="checkbox"/> | witterungsbeständig/weather proof | <input type="checkbox"/> | <input checked="" type="checkbox"/> | <input type="checkbox"/> |
| leicht lenkend/swivels easily | <input type="checkbox"/> | <input checked="" type="checkbox"/> | <input type="checkbox"/> | | | | | | | | | | | | | | | | | | | |
| verschleißarm/wear resistant | <input type="checkbox"/> | <input checked="" type="checkbox"/> | <input type="checkbox"/> | | | | | | | | | | | | | | | | | | | |
| stoßfest/shock proof | <input checked="" type="checkbox"/> | <input type="checkbox"/> | <input type="checkbox"/> | | | | | | | | | | | | | | | | | | | |
| bodenschonend/floor protective | <input type="checkbox"/> | <input checked="" type="checkbox"/> | <input type="checkbox"/> | | | | | | | | | | | | | | | | | | | |
| witterungsbeständig/weather proof | <input type="checkbox"/> | <input checked="" type="checkbox"/> | <input type="checkbox"/> | | | | | | | | | | | | | | | | | | | |

Technische Details

| | |
|--------------------------------|---------------------|
| ORDERNO (Artikel-nummer) | 331LXK PT 102 EL |
| WDAB (Rad-Ø A x Breite B / mm) | 100x32 |
| LC (Tragkraft / kg) | 90 |
| H (Bauhöhe H / mm) | 132 |
| TP (Plattengröße / mm) | 95x70 |
| HS (Lochabstand / mm) | 75x50 |
| HD (Loch-Ø / mm) | 11 |
| SR (Schwenkradius / mm) | 118 |
| WB (Radlager) | Polyamid-Gleitlager |