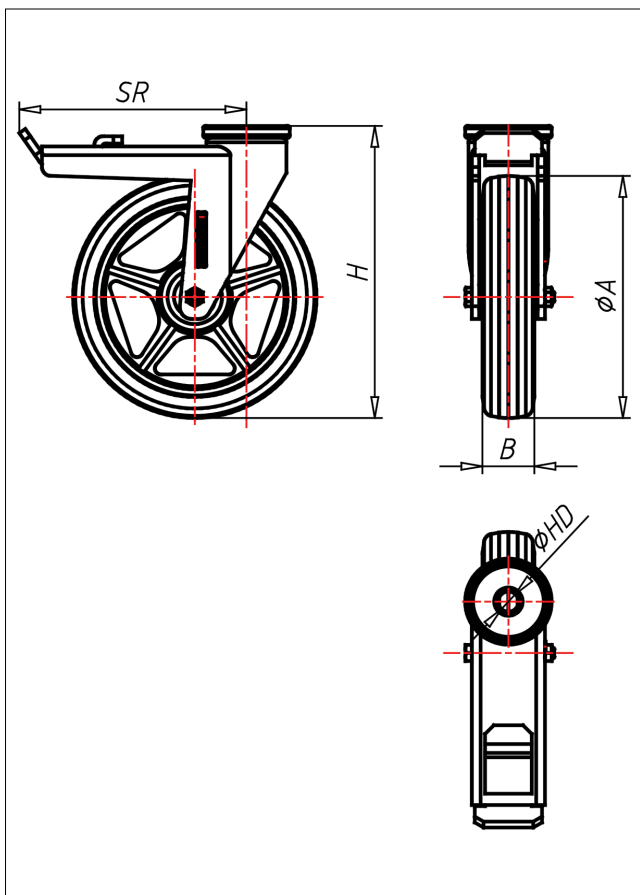




CRT-PUK

Lenkrolle mit Totalfeststeller



CR-PU



NEU!	Lenkrolle Swivel Castor	Lenkrolle mit Totalfeststeller Swivel Castor with total lock																				
<ul style="list-style-type: none"> ▶ pannensicher ▶ hoher Fahrkomfort ▶ geringer Rollwiderstand ▶ sehr drehfreudig ▶ abriebfest ▶ SPURFREI 	<ul style="list-style-type: none"> ▶ zweifaches Kugellager – vernietet ▶ Stahlkugeln gehärtet, Radachse verschraubt, verzinkt 	<p>Auswahlhilfe Selection Criteria</p> <table border="0"> <tr> <td>leicht lenkbar/steers easily</td> <td><input type="radio"/></td> <td><input checked="" type="radio"/></td> <td><input checked="" type="radio"/></td> </tr> <tr> <td>verschleißarm/wear resistant</td> <td><input type="radio"/></td> <td><input checked="" type="radio"/></td> <td><input checked="" type="radio"/></td> </tr> <tr> <td>stille/floor quiet</td> <td><input type="radio"/></td> <td><input checked="" type="radio"/></td> <td><input checked="" type="radio"/></td> </tr> <tr> <td>bodenschonend/floor protective</td> <td><input type="radio"/></td> <td><input checked="" type="radio"/></td> <td><input checked="" type="radio"/></td> </tr> <tr> <td>witterungsbeständig/weather proof</td> <td><input type="radio"/></td> <td><input checked="" type="radio"/></td> <td><input checked="" type="radio"/></td> </tr> </table>	leicht lenkbar/steers easily	<input type="radio"/>	<input checked="" type="radio"/>	<input checked="" type="radio"/>	verschleißarm/wear resistant	<input type="radio"/>	<input checked="" type="radio"/>	<input checked="" type="radio"/>	stille/floor quiet	<input type="radio"/>	<input checked="" type="radio"/>	<input checked="" type="radio"/>	bodenschonend/floor protective	<input type="radio"/>	<input checked="" type="radio"/>	<input checked="" type="radio"/>	witterungsbeständig/weather proof	<input type="radio"/>	<input checked="" type="radio"/>	<input checked="" type="radio"/>
leicht lenkbar/steers easily	<input type="radio"/>	<input checked="" type="radio"/>	<input checked="" type="radio"/>																			
verschleißarm/wear resistant	<input type="radio"/>	<input checked="" type="radio"/>	<input checked="" type="radio"/>																			
stille/floor quiet	<input type="radio"/>	<input checked="" type="radio"/>	<input checked="" type="radio"/>																			
bodenschonend/floor protective	<input type="radio"/>	<input checked="" type="radio"/>	<input checked="" type="radio"/>																			
witterungsbeständig/weather proof	<input type="radio"/>	<input checked="" type="radio"/>	<input checked="" type="radio"/>																			
<p>Polyurethan-Rollen, grau Radkörper aus Polyamid 6 – 1. Wahl → Seite/Page 364</p>	<p>→ Seite/Page 112</p>																					

Technische Details

ORDERNO (Artikel-nummer)	CRT 125 PUK
WDAB (Rad-Ø A x Breite B / mm)	125x30
LC (Tragkraft / kg)	50
H (Bauhöhe H / mm)	154
HD (Loch-Ø / mm)	12.5
SR (Schwenkradius / mm)	108
BD (Bohrungsdurchmesser / mm)	8
WB ()	Kugellager