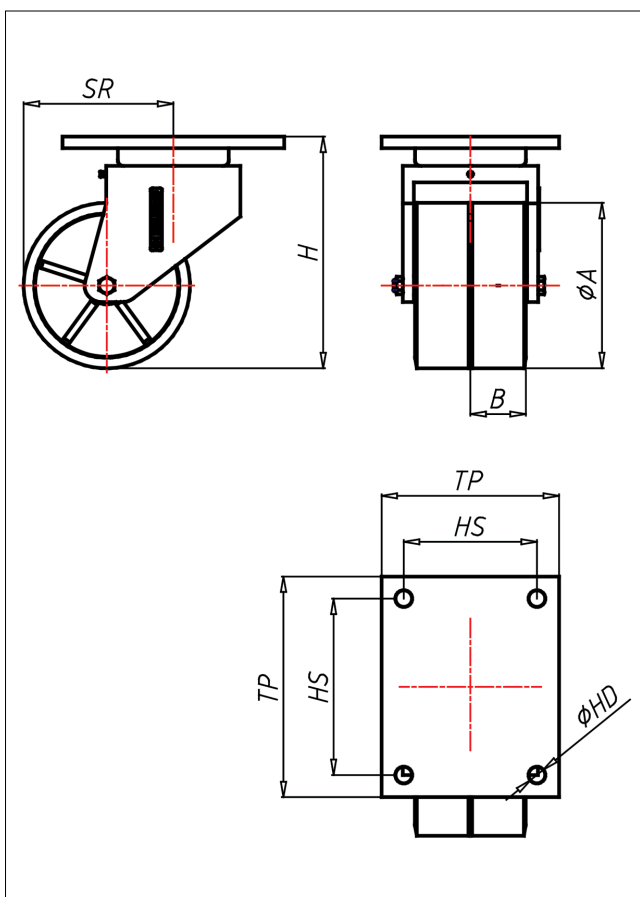




# EDD-ZSZSK

## Lenkrolle



### EDD-ZS



80 °C  
30 °C max. 1220 kg



Lenkrolle Steering Castor	Feststeller TLGH Seite 109 TRUCK LOCK TLGH page 109	Bockrolle Fitted Castor																									
<p><b>NEU!</b></p>  <ul style="list-style-type: none"> <li>sehr geräuscharmer Lauf</li> <li>geringer Rollwiderstand</li> <li>abrieb- und rissfest</li> <li>hohe Stoßfestigkeit</li> <li>sehr beständig gegen viele aggressive Medien</li> </ul> <p>Guss-Polyurethane 85 + 3 Shore A weich Folge Gusselisen lackiert → Seite/Page 223</p>	 <p>Schnecken- und Axialkugellager, staugeschützt, sehr starker Zentralbolzen, Mutter gesichert, Schmiernippel Ausführung - lackiert → Seite/Page 22</p>	 <p>Auswahlhilfe Selection Criteria</p> <table border="0"> <tr> <td>leicht lenkbar/steers easily</td> <td><input type="radio"/></td> <td><input checked="" type="radio"/></td> <td><input type="radio"/></td> <td><input type="radio"/></td> </tr> <tr> <td>verschleißarm/wear resistant</td> <td><input type="radio"/></td> <td><input checked="" type="radio"/></td> <td><input type="radio"/></td> <td><input type="radio"/></td> </tr> <tr> <td>stoßfest/shock proof</td> <td><input type="radio"/></td> <td><input checked="" type="radio"/></td> <td><input type="radio"/></td> <td><input type="radio"/></td> </tr> <tr> <td>bodenschonend/floor protective</td> <td><input type="radio"/></td> <td><input checked="" type="radio"/></td> <td><input type="radio"/></td> <td><input type="radio"/></td> </tr> <tr> <td>witterungsbeständig/weather proof</td> <td><input type="radio"/></td> <td><input checked="" type="radio"/></td> <td><input type="radio"/></td> <td><input type="radio"/></td> </tr> </table>	leicht lenkbar/steers easily	<input type="radio"/>	<input checked="" type="radio"/>	<input type="radio"/>	<input type="radio"/>	verschleißarm/wear resistant	<input type="radio"/>	<input checked="" type="radio"/>	<input type="radio"/>	<input type="radio"/>	stoßfest/shock proof	<input type="radio"/>	<input checked="" type="radio"/>	<input type="radio"/>	<input type="radio"/>	bodenschonend/floor protective	<input type="radio"/>	<input checked="" type="radio"/>	<input type="radio"/>	<input type="radio"/>	witterungsbeständig/weather proof	<input type="radio"/>	<input checked="" type="radio"/>	<input type="radio"/>	<input type="radio"/>
leicht lenkbar/steers easily	<input type="radio"/>	<input checked="" type="radio"/>	<input type="radio"/>	<input type="radio"/>																							
verschleißarm/wear resistant	<input type="radio"/>	<input checked="" type="radio"/>	<input type="radio"/>	<input type="radio"/>																							
stoßfest/shock proof	<input type="radio"/>	<input checked="" type="radio"/>	<input type="radio"/>	<input type="radio"/>																							
bodenschonend/floor protective	<input type="radio"/>	<input checked="" type="radio"/>	<input type="radio"/>	<input type="radio"/>																							
witterungsbeständig/weather proof	<input type="radio"/>	<input checked="" type="radio"/>	<input type="radio"/>	<input type="radio"/>																							

### Technische Details

ORDERNO (Artikel-nummer)	EDD 125 ZSZSK
WDAB (Rad-Ø A x Breite B / mm)	125x40+40
LC (Tragkraft / kg)	560
H (Bauhöhe H / mm)	197
TP (Plattengröße / mm)	200x160
HS (Lochabstand / mm)	160x120
HD (Loch-Ø / mm)	15
SR (Schwenkradius / mm)	122.5
WB (Radlager)	Kugellager