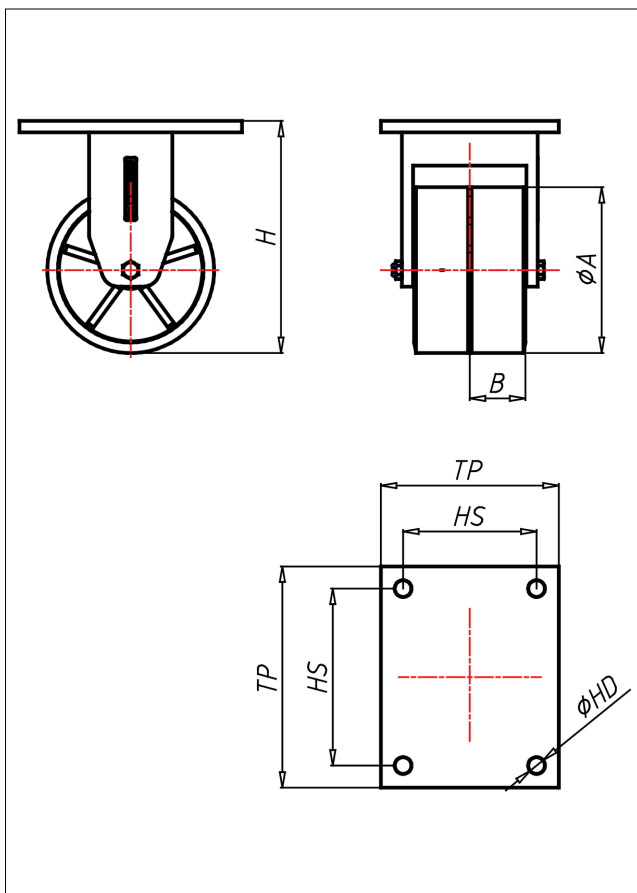
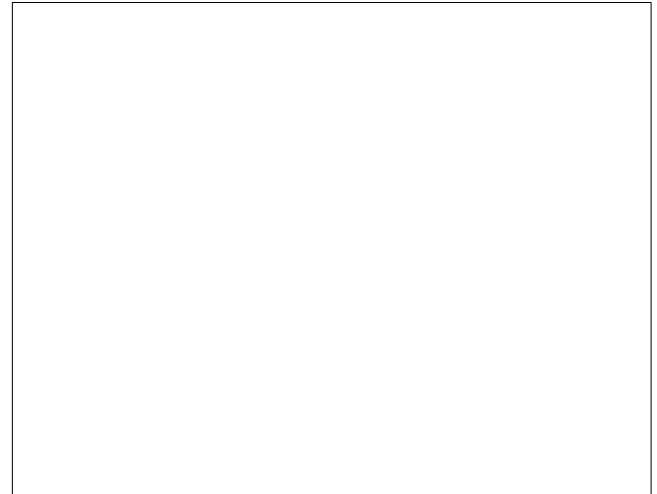
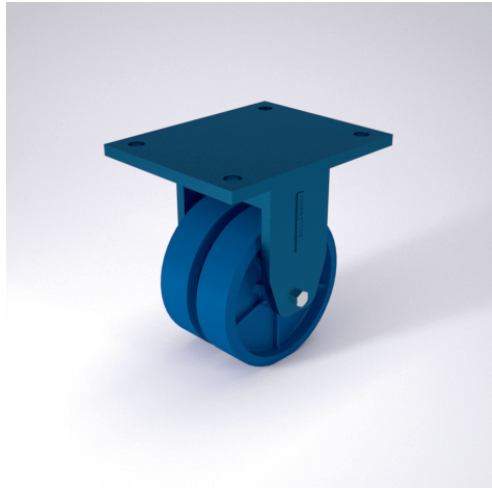




EDDF-ZSZSK

Bockrolle



EDD-ZS



| Lenkrolle Steering Castor | Feststeller TLGH Seite 109 Truck lock TLGH page 109 | Bockrolle Fitted Castor | | | | | | | | | | | | | | | | | | | | |
|---|---|---|------------------------------|--------------------------|-------------------------------------|--------------------------|------------------------------|--------------------------|-------------------------------------|--------------------------|--------------------|--------------------------|-------------------------------------|--------------------------|--------------------------------|--------------------------|-------------------------------------|--------------------------|-----------------------------------|--------------------------|-------------------------------------|--------------------------|
| | | | | | | | | | | | | | | | | | | | | | | |
| <p>NEU!</p> <ul style="list-style-type: none"> sehr geräuscharmer Lauf geringer Rollwiderstand abrieb- und rissfest hohe Stoßfestigkeit sehr beständig gegen viele aggressive Medien <p>Guss-Polyurethane 85 + 3 shore A weich Folge Gusselisen lackiert → Seite/Page 223</p> | <p>Schragrollen- und Axialkugellager, staugeschützt, sehr starker Zentralbolzen, Mutter gesichert, Schmiernippel Ausführung - lackiert</p> <p>→ Seite/Page 22</p> | <p>Auswahlhilfe Selection Criteria</p> <table border="0"> <tr> <td>leicht lenkbar/wheels easily</td> <td><input type="checkbox"/></td> <td><input checked="" type="checkbox"/></td> <td><input type="checkbox"/></td> </tr> <tr> <td>verschleißarm/wear resistant</td> <td><input type="checkbox"/></td> <td><input checked="" type="checkbox"/></td> <td><input type="checkbox"/></td> </tr> <tr> <td>stoßd/ shock proof</td> <td><input type="checkbox"/></td> <td><input checked="" type="checkbox"/></td> <td><input type="checkbox"/></td> </tr> <tr> <td>bodenschonend/floor protection</td> <td><input type="checkbox"/></td> <td><input checked="" type="checkbox"/></td> <td><input type="checkbox"/></td> </tr> <tr> <td>witterungsbeständig/weather proof</td> <td><input type="checkbox"/></td> <td><input checked="" type="checkbox"/></td> <td><input type="checkbox"/></td> </tr> </table> | leicht lenkbar/wheels easily | <input type="checkbox"/> | <input checked="" type="checkbox"/> | <input type="checkbox"/> | verschleißarm/wear resistant | <input type="checkbox"/> | <input checked="" type="checkbox"/> | <input type="checkbox"/> | stoßd/ shock proof | <input type="checkbox"/> | <input checked="" type="checkbox"/> | <input type="checkbox"/> | bodenschonend/floor protection | <input type="checkbox"/> | <input checked="" type="checkbox"/> | <input type="checkbox"/> | witterungsbeständig/weather proof | <input type="checkbox"/> | <input checked="" type="checkbox"/> | <input type="checkbox"/> |
| leicht lenkbar/wheels easily | <input type="checkbox"/> | <input checked="" type="checkbox"/> | <input type="checkbox"/> | | | | | | | | | | | | | | | | | | | |
| verschleißarm/wear resistant | <input type="checkbox"/> | <input checked="" type="checkbox"/> | <input type="checkbox"/> | | | | | | | | | | | | | | | | | | | |
| stoßd/ shock proof | <input type="checkbox"/> | <input checked="" type="checkbox"/> | <input type="checkbox"/> | | | | | | | | | | | | | | | | | | | |
| bodenschonend/floor protection | <input type="checkbox"/> | <input checked="" type="checkbox"/> | <input type="checkbox"/> | | | | | | | | | | | | | | | | | | | |
| witterungsbeständig/weather proof | <input type="checkbox"/> | <input checked="" type="checkbox"/> | <input type="checkbox"/> | | | | | | | | | | | | | | | | | | | |

Technische Details

| | |
|--------------------------------|----------------|
| ORDERNO (Artikel-nummer) | EDDF 250 ZSZSK |
| WDAB (Rad-Ø A x Breite B / mm) | 250x50+50 |
| LC (Tragkraft / kg) | 1920 |
| H (Bauhöhe H / mm) | 323 |
| TP (Plattengröße / mm) | 255x205 |
| HS (Lochabstand / mm) | 210x160 |
| HD (Loch-Ø / mm) | 17 |
| SR (Schwenkradius / mm) | 207 |
| WB (Radlager) | Kugellager |