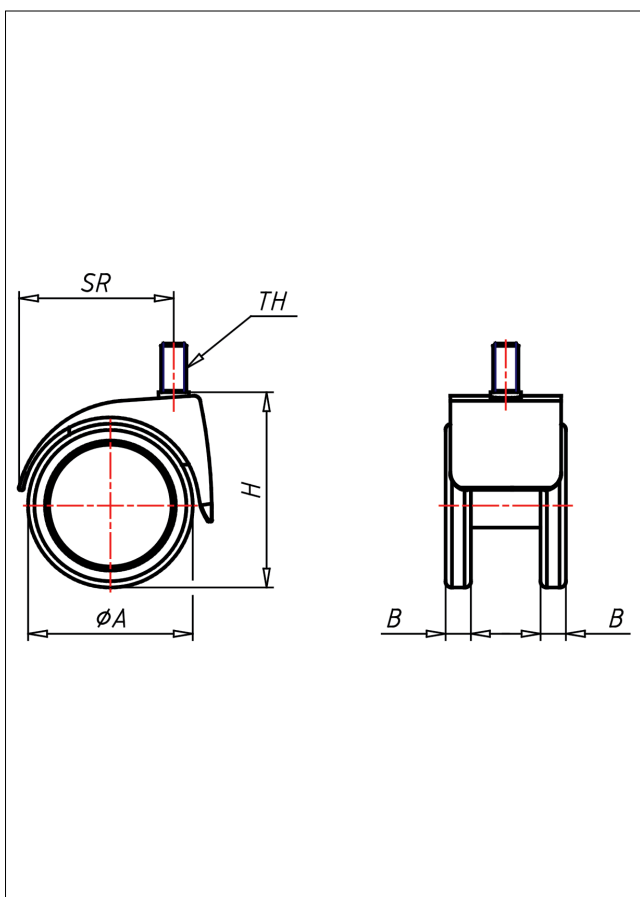
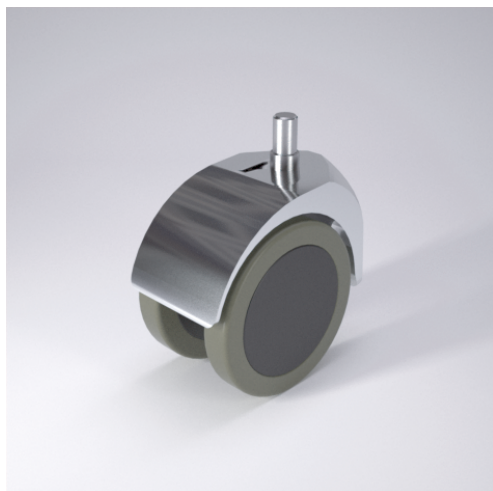




540 M8/M10/M12 PUEL

Lenkrolle



Technische Details

| | |
|--------------------------------|---------------------|
| ORDERNO (Artikel-nummer) | 540 M12 100 PUEL |
| WDAB (Rad-Ø A x Breite B / mm) | 100x13+13 |
| LC (Tragkraft / kg) | 70 |
| H (Bauhöhe H / mm) | 124 |
| TH (Gewinde / mm) | M12x15 |
| SR (Schwenkradius / mm) | 85 |
| WB (Radlager) | Polyamid-Gleitlager |