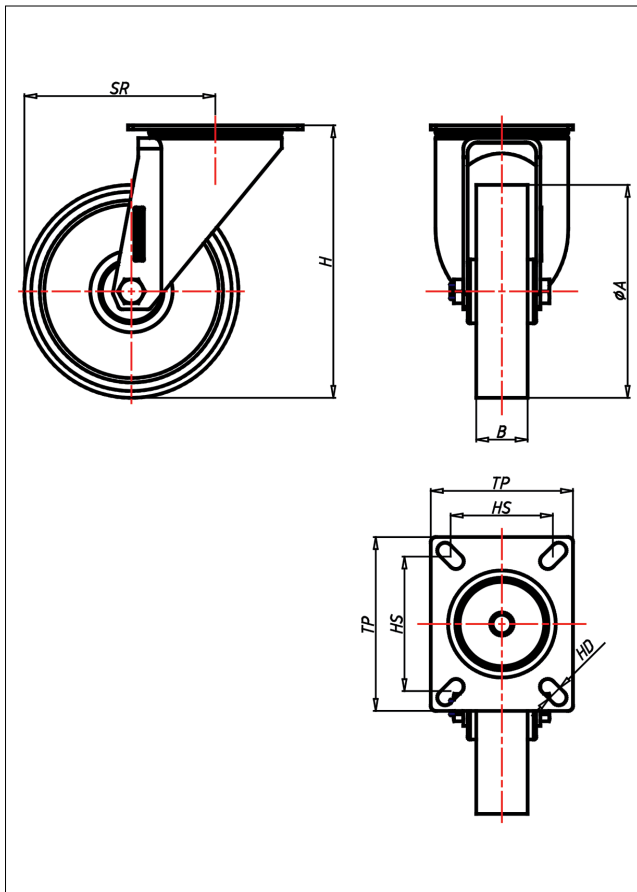




# CD/CS/CSS/CL- AL/ALB/ALK Lenkrolle



## CD-AL



| LENKROLLE   | LENKROLLE MIT TOTALFESTSTELLER   | BOCKROLLE   |                          |                                     |                          |                          |               |                                     |                          |                          |          |                                     |                          |                          |               |                                     |                          |                          |                     |                                     |                          |                          |
|---|--|---|--------------------------|-------------------------------------|--------------------------|--------------------------|---------------|-------------------------------------|--------------------------|--------------------------|----------|-------------------------------------|--------------------------|--------------------------|---------------|-------------------------------------|--------------------------|--------------------------|---------------------|-------------------------------------|--------------------------|--------------------------|
|  <ul style="list-style-type: none"> <li>• geringer Rollwiderstand</li> <li>• abrieb- und reißfest</li> <li>• leichte Reinigung</li> <li>• sehr beständig gegen viele aggressive Medien</li> </ul> <p>Spritzguss-Polyurethan<br/>Felge Polyamid 6<br/>→ Seite 253</p>  |  <p>zweifaches Kugellager - vernietet<br/>Stahlkugeln gehärtet<br/>Dichtungsring,<br/>Radachse verschraubt, verzinkt-<br/>chrompassiviert</p> <p>→ Seite 62</p> |  <p>AUSWAHLHILFE:</p> <table border="0"> <tr> <td>leicht lenkend</td> <td><input checked="" type="checkbox"/></td> <td><input type="checkbox"/></td> <td><input type="checkbox"/></td> </tr> <tr> <td>verschleißarm</td> <td><input checked="" type="checkbox"/></td> <td><input type="checkbox"/></td> <td><input type="checkbox"/></td> </tr> <tr> <td>stoßfest</td> <td><input checked="" type="checkbox"/></td> <td><input type="checkbox"/></td> <td><input type="checkbox"/></td> </tr> <tr> <td>bodenschonend</td> <td><input checked="" type="checkbox"/></td> <td><input type="checkbox"/></td> <td><input type="checkbox"/></td> </tr> <tr> <td>witterungsbeständig</td> <td><input checked="" type="checkbox"/></td> <td><input type="checkbox"/></td> <td><input type="checkbox"/></td> </tr> </table> | leicht lenkend           | <input checked="" type="checkbox"/> | <input type="checkbox"/> | <input type="checkbox"/> | verschleißarm | <input checked="" type="checkbox"/> | <input type="checkbox"/> | <input type="checkbox"/> | stoßfest | <input checked="" type="checkbox"/> | <input type="checkbox"/> | <input type="checkbox"/> | bodenschonend | <input checked="" type="checkbox"/> | <input type="checkbox"/> | <input type="checkbox"/> | witterungsbeständig | <input checked="" type="checkbox"/> | <input type="checkbox"/> | <input type="checkbox"/> |
| leicht lenkend  | <input checked="" type="checkbox"/>  | <input type="checkbox"/>  | <input type="checkbox"/> |                                     |                          |                          |               |                                     |                          |                          |          |                                     |                          |                          |               |                                     |                          |                          |                     |                                     |                          |                          |
| verschleißarm   | <input checked="" type="checkbox"/>  | <input type="checkbox"/>  | <input type="checkbox"/> |                                     |                          |                          |               |                                     |                          |                          |          |                                     |                          |                          |               |                                     |                          |                          |                     |                                     |                          |                          |
| stoßfest  | <input checked="" type="checkbox"/>  | <input type="checkbox"/>  | <input type="checkbox"/> |                                     |                          |                          |               |                                     |                          |                          |          |                                     |                          |                          |               |                                     |                          |                          |                     |                                     |                          |                          |
| bodenschonend   | <input checked="" type="checkbox"/>  | <input type="checkbox"/>  | <input type="checkbox"/> |                                     |                          |                          |               |                                     |                          |                          |          |                                     |                          |                          |               |                                     |                          |                          |                     |                                     |                          |                          |
| witterungsbeständig   | <input checked="" type="checkbox"/>  | <input type="checkbox"/>  | <input type="checkbox"/> |                                     |                          |                          |               |                                     |                          |                          |          |                                     |                          |                          |               |                                     |                          |                          |                     |                                     |                          |                          |

## Technische Details

|                                       |             |
|---------------------------------------|-------------|
| <b>ORDERNO (Artikel-nummer)</b>       | CD 100 ALB  |
| <b>WDAB (Rad-Ø A x Breite B / mm)</b> | 100x30      |
| <b>LC (Tragkraft / kg)</b>            | 120         |
| <b>H (Bauhöhe H / mm)</b>             | 128         |
| <b>TP (Plattengröße / mm)</b>         | 102x83      |
| <b>HS (Lochabstand / mm)</b>          | 80x60       |
| <b>HD (Loch-Ø / mm)</b>               | 9           |
| <b>SR (Schwenkradius / mm)</b>        | 87          |
| <b>WB (Radlager)</b>                  | Rollenlager |