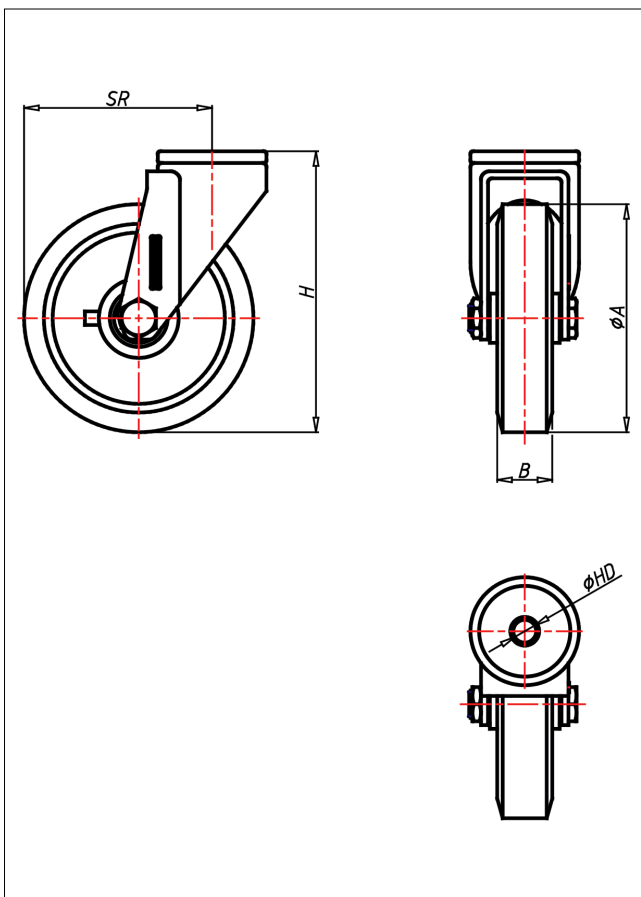
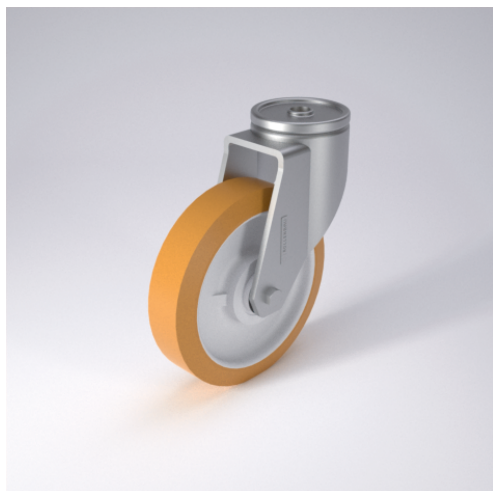




CR/CRS-A/AK/AB

Lenkrolle



CR-A



SWIVEL CASTOR	SWIVEL CASTOR WITH TOTAL LOCK	
<ul style="list-style-type: none"> • silent in motion • low rolling resistance • high abrasion and tear resistance • high resistance to shocks • easy to clean • good chemical resistance 	<p>Medium duty bolt hole castor, finish: electro-zinc plated, swivel fork with single bolt hole, double ball bearing - revited, hardened steel balls, wheel axle bolted, total lock</p> <p>→ page 62</p>	<p>SELECTION CRITERIA:</p> <ul style="list-style-type: none"> swivels easily <input type="checkbox"/> wear resistant <input checked="" type="checkbox"/> shock proof <input checked="" type="checkbox"/> floor protective <input type="checkbox"/> weather proof <input checked="" type="checkbox"/>

Technische Details

ORDERNO (Artikel-nummer)	CR 100 A
WDAB (Rad-Ø A x Breite B / mm)	100x30
LC (Tragkraft / kg)	120
H (Bauhöhe H / mm)	128
HD (Loch-Ø / mm)	12.5
SR (Schwenkradius / mm)	87
WB (Radlager)	Nylon-Gleittager