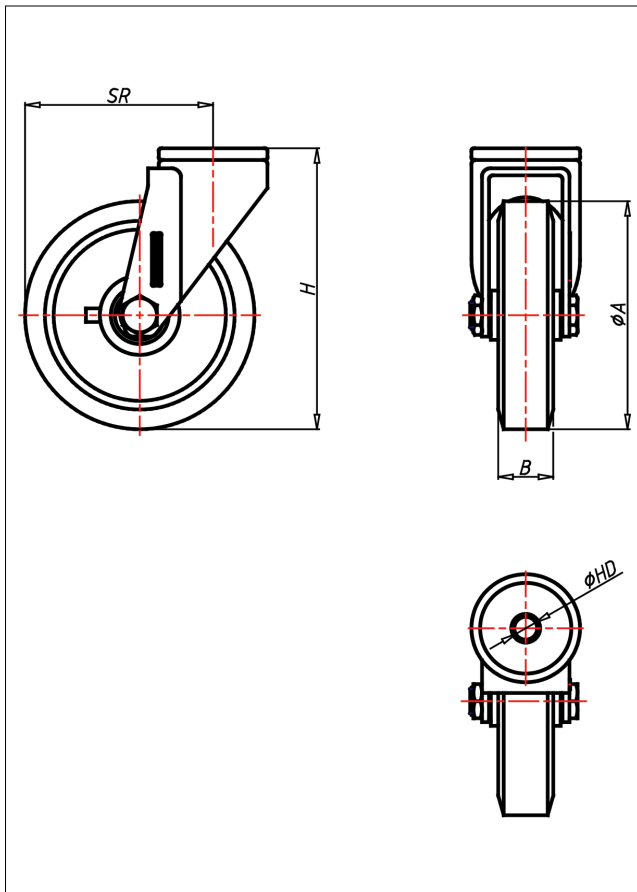




# CR/CRS-A/AK/AB

## Lenkrolle



### CR-A



SWIVEL CASTOR	SWIVEL CASTOR WITH TOTAL LOCK	
<ul style="list-style-type: none"> <li>• silent in motion</li> <li>• low rolling resistance</li> <li>• high abrasion and tear resistance</li> <li>• high resistance to shocks</li> <li>• easy to clean</li> <li>• good chemical resistance</li> </ul>	<p>Medium duty bolt hole castor, finish: electro-zinc plated, swivel fork with single bolt hole, double ball bearing - revited, hardened steel balls, wheel axle bolted, total lock</p> <p>→ page 62</p>	<p>SELECTION CRITERIA:</p> <ul style="list-style-type: none"> <li>swivels easily <input type="checkbox"/></li> <li>wear resistant <input checked="" type="checkbox"/></li> <li>shock proof <input checked="" type="checkbox"/></li> <li>floor protective <input type="checkbox"/></li> <li>weather proof <input checked="" type="checkbox"/></li> </ul>
<p>Cast-polyurethane High quality nylon wheel centre → page 252</p>		

### Technische Details

<b>ORDERNO (Artikel-nummer)</b>	CR 200 AB
<b>WDAB (Rad-Ø A x Breite B / mm)</b>	200x50
<b>LC (Tragkraft / kg)</b>	300
<b>H (Bauhöhe H / mm)</b>	240
<b>HD (Loch-Ø / mm)</b>	12.5
<b>SR (Schwenkradius / mm)</b>	159
<b>WB (Radlager)</b>	Rollenlager