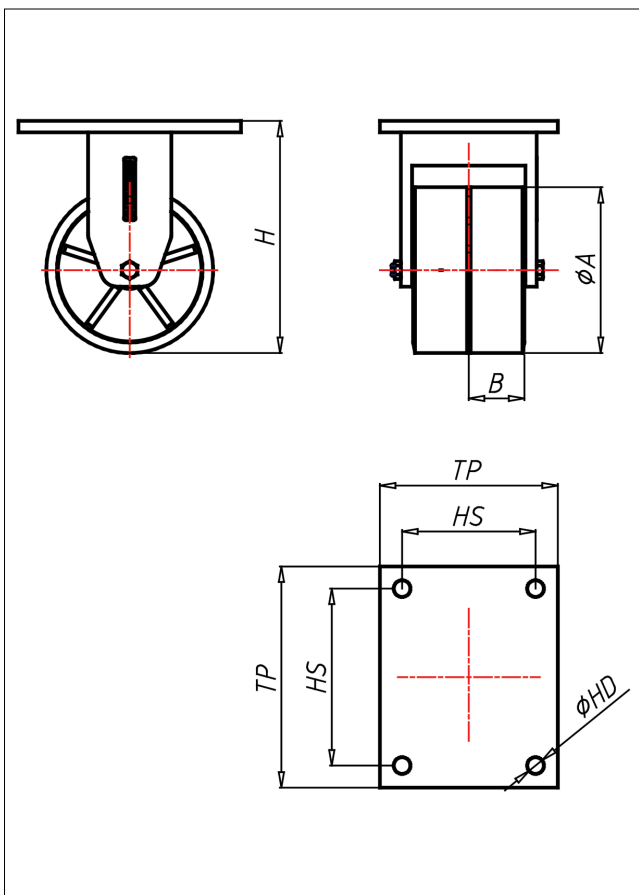




EDDF-ZSZSK

Bockrolle



EDD-ZS



-80 °C
-30 °C

max. 1920 kg



Lenkrolle Steering Castor	Feststeller TLGH Seite 109 Truck lock TLGH page 109	Bockrolle Fitted Castor																									
<p>NEU!</p> <ul style="list-style-type: none"> sehr geräuscharmer Lauf geringer Rollwiderstand abrieb- und rissfest hohe Stoßfestigkeit sehr beständig gegen viele aggressive Medien <p>Guss-Polyurethane 85 + 3 shore A weich Folge Gusselisen lackiert → Seite/Page 223</p>	<p>Schrittrollen- und Axialkugellager, staugeschützt, sehr starker Zentralbolzen, Mutter gesichert, Schmiernippel Ausführung - lackiert → Seite/Page 22</p>	<p>Auswahlhilfe Selection Criteria</p> <table border="0"> <tr> <td>leicht lenkbar/easily</td> <td><input type="radio"/></td> <td><input checked="" type="radio"/></td> <td><input type="radio"/></td> <td><input type="radio"/></td> </tr> <tr> <td>verschleißarm/wear resistant</td> <td><input type="radio"/></td> <td><input checked="" type="radio"/></td> <td><input type="radio"/></td> <td><input type="radio"/></td> </tr> <tr> <td>stoßd/ shock proof</td> <td><input type="radio"/></td> <td><input checked="" type="radio"/></td> <td><input type="radio"/></td> <td><input type="radio"/></td> </tr> <tr> <td>bodenschonend/floor protective</td> <td><input type="radio"/></td> <td><input checked="" type="radio"/></td> <td><input type="radio"/></td> <td><input type="radio"/></td> </tr> <tr> <td>witrongschneidig/cutlather proof</td> <td><input type="radio"/></td> <td><input checked="" type="radio"/></td> <td><input type="radio"/></td> <td><input type="radio"/></td> </tr> </table>	leicht lenkbar/easily	<input type="radio"/>	<input checked="" type="radio"/>	<input type="radio"/>	<input type="radio"/>	verschleißarm/wear resistant	<input type="radio"/>	<input checked="" type="radio"/>	<input type="radio"/>	<input type="radio"/>	stoßd/ shock proof	<input type="radio"/>	<input checked="" type="radio"/>	<input type="radio"/>	<input type="radio"/>	bodenschonend/floor protective	<input type="radio"/>	<input checked="" type="radio"/>	<input type="radio"/>	<input type="radio"/>	witrongschneidig/cutlather proof	<input type="radio"/>	<input checked="" type="radio"/>	<input type="radio"/>	<input type="radio"/>
leicht lenkbar/easily	<input type="radio"/>	<input checked="" type="radio"/>	<input type="radio"/>	<input type="radio"/>																							
verschleißarm/wear resistant	<input type="radio"/>	<input checked="" type="radio"/>	<input type="radio"/>	<input type="radio"/>																							
stoßd/ shock proof	<input type="radio"/>	<input checked="" type="radio"/>	<input type="radio"/>	<input type="radio"/>																							
bodenschonend/floor protective	<input type="radio"/>	<input checked="" type="radio"/>	<input type="radio"/>	<input type="radio"/>																							
witrongschneidig/cutlather proof	<input type="radio"/>	<input checked="" type="radio"/>	<input type="radio"/>	<input type="radio"/>																							

Technische Details

ORDERNO (Artikel-nummer)	EDDF 150 ZSZSK
WDAB (Rad-Ø A x Breite B / mm)	150x40+40
LC (Tragkraft / kg)	800
H (Bauhöhe H / mm)	210
TP (Plattengröße / mm)	200x160
HS (Lochabstand / mm)	160x120
HD (Loch-Ø / mm)	15
SR (Schwenkradius / mm)	135
WB (Radlager)	Kugellager