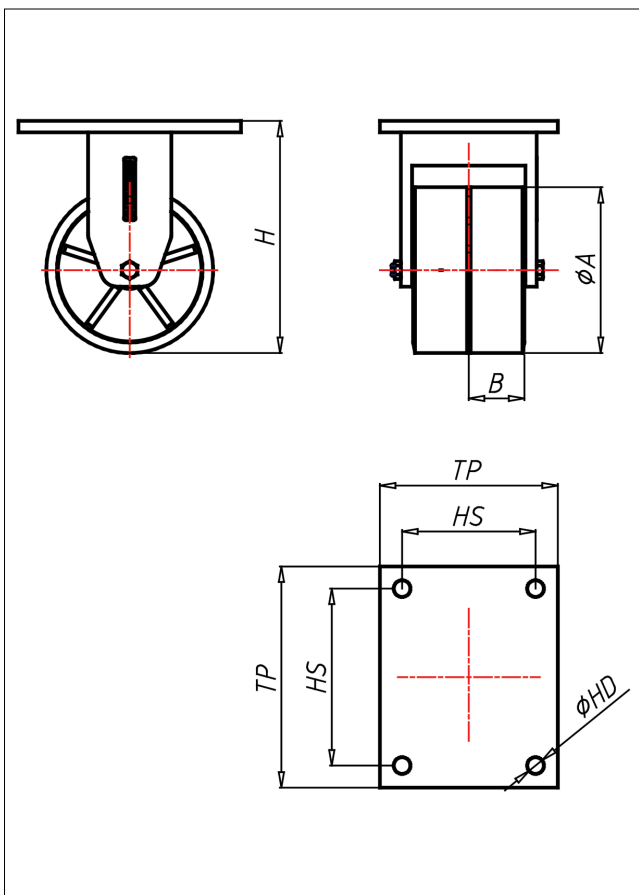




# EDDF-ZSZSK

## Bockrolle



### EDD-ZS



-80 °C  
-30 °C

max. 1920 kg



Lenkrolle Steering Castor	Feststeller TLGH Seite 109 Truck lock TLGH page 109	Bockrolle Fitted Castor																														
<p><b>NEU!</b></p> <ul style="list-style-type: none"> <li>sehr geräuscharmer Lauf</li> <li>geringer Rollwiderstand</li> <li>abrieb- und rissfest</li> <li>hohe Stoßfestigkeit</li> <li>sehr beständig gegen viele aggressive Medien</li> </ul> <p>Guss-Polyurethane 85 + 3 shore A weich Folge Gusselisen lackiert → Seite/Page 223</p>	<p>Schragrollen- und Axialkugellager, staugeschützt, sehr starker Zentralbolzen, Mutter gesichert, Schmiernippel Ausführung - lackiert</p> <p>→ Seite/Page 22</p>	<p>Auswahlhilfe Selection Criteria</p> <table border="1"> <tr> <td>leicht lenkbar/steers easily</td> <td><input type="radio"/></td> <td><input type="radio"/></td> <td><input type="radio"/></td> <td><input type="radio"/></td> <td><input type="radio"/></td> </tr> <tr> <td>verschleißarm/wear resistant</td> <td><input type="radio"/></td> <td><input type="radio"/></td> <td><input type="radio"/></td> <td><input type="radio"/></td> <td><input type="radio"/></td> </tr> <tr> <td>stoßfest/shock proof</td> <td><input type="radio"/></td> <td><input type="radio"/></td> <td><input type="radio"/></td> <td><input type="radio"/></td> <td><input type="radio"/></td> </tr> <tr> <td>bodenschonend/floor protective</td> <td><input type="radio"/></td> <td><input type="radio"/></td> <td><input type="radio"/></td> <td><input type="radio"/></td> <td><input type="radio"/></td> </tr> <tr> <td>wilddampfschützend/smellproof</td> <td><input type="radio"/></td> <td><input type="radio"/></td> <td><input type="radio"/></td> <td><input type="radio"/></td> <td><input type="radio"/></td> </tr> </table>	leicht lenkbar/steers easily	<input type="radio"/>	<input type="radio"/>	<input type="radio"/>	<input type="radio"/>	<input type="radio"/>	verschleißarm/wear resistant	<input type="radio"/>	<input type="radio"/>	<input type="radio"/>	<input type="radio"/>	<input type="radio"/>	stoßfest/shock proof	<input type="radio"/>	<input type="radio"/>	<input type="radio"/>	<input type="radio"/>	<input type="radio"/>	bodenschonend/floor protective	<input type="radio"/>	<input type="radio"/>	<input type="radio"/>	<input type="radio"/>	<input type="radio"/>	wilddampfschützend/smellproof	<input type="radio"/>	<input type="radio"/>	<input type="radio"/>	<input type="radio"/>	<input type="radio"/>
leicht lenkbar/steers easily	<input type="radio"/>	<input type="radio"/>	<input type="radio"/>	<input type="radio"/>	<input type="radio"/>																											
verschleißarm/wear resistant	<input type="radio"/>	<input type="radio"/>	<input type="radio"/>	<input type="radio"/>	<input type="radio"/>																											
stoßfest/shock proof	<input type="radio"/>	<input type="radio"/>	<input type="radio"/>	<input type="radio"/>	<input type="radio"/>																											
bodenschonend/floor protective	<input type="radio"/>	<input type="radio"/>	<input type="radio"/>	<input type="radio"/>	<input type="radio"/>																											
wilddampfschützend/smellproof	<input type="radio"/>	<input type="radio"/>	<input type="radio"/>	<input type="radio"/>	<input type="radio"/>																											

### Technische Details

ORDERNO (Artikel-nummer)	EDDF 200 ZSZSK
WDAB (Rad-Ø A x Breite B / mm)	200x50+50
LC (Tragkraft / kg)	1600
H (Bauhöhe H / mm)	270
TP (Plattengröße / mm)	255x205
HS (Lochabstand / mm)	210x160
HD (Loch-Ø / mm)	17
SR (Schwenkradius / mm)	170
WB (Radlager)	Kugellager