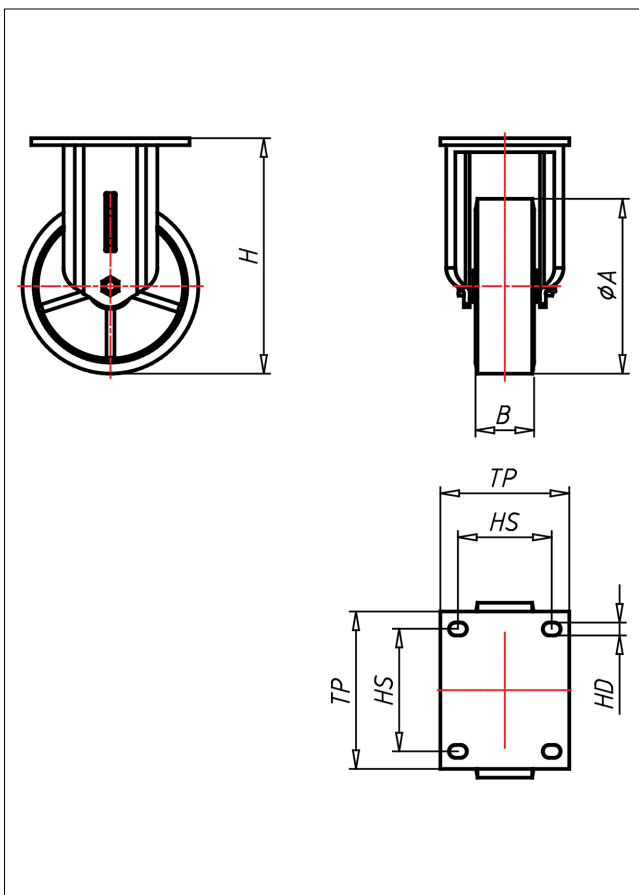
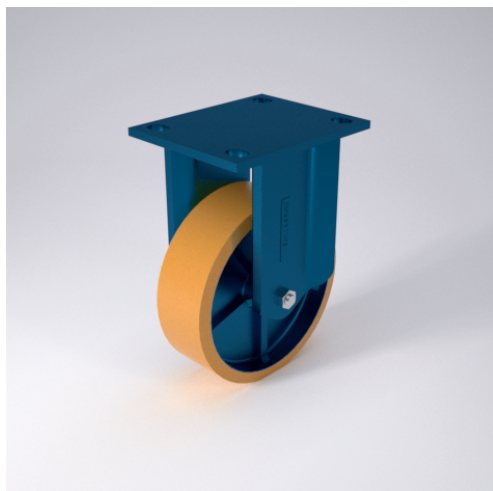




EDF/ESF-ZK

Bockrolle



ED-Z



| LENKROLLE | LENKROLLE MIT TOTALFESTSTELLER | BOCKROLLE | | | | | | | | | | | | | | | | | | | | | | | | | |
|--|---|--|-----------------------|-----------------------|-----------------------|-----------------------|-----------------------|---------------|-----------------------|-----------------------|-----------------------|-----------------------|----------|-----------------------|-----------------------|-----------------------|-----------------------|---------------|-----------------------|-----------------------|-----------------------|-----------------------|---------------------|-----------------------|-----------------------|-----------------------|-----------------------|
| | | | | | | | | | | | | | | | | | | | | | | | | | | | |
| <ul style="list-style-type: none"> geräuscharmer Lauf geringer Rollwiderstand abrieb- und reißfest hohe Stoßfestigkeit sehr beständig gegen viele aggressive Medien <p>Guss-Polyurethan Felge Gussseisen lackiert → Seite 246</p> | <p>Schrägrollen- und Axialkugellager, staubgeschützt, sehr starker Zentralbolzen, Mutter gesichert, Schmiemoppel Ausführung – lackiert → Seite 26</p> | <p>AUSWAHLHILFE:</p> <table border="0"> <tr> <td>leicht lenkend</td> <td><input type="radio"/></td> <td><input type="radio"/></td> <td><input type="radio"/></td> <td><input type="radio"/></td> </tr> <tr> <td>verschleißarm</td> <td><input type="radio"/></td> <td><input type="radio"/></td> <td><input type="radio"/></td> <td><input type="radio"/></td> </tr> <tr> <td>stoßfest</td> <td><input type="radio"/></td> <td><input type="radio"/></td> <td><input type="radio"/></td> <td><input type="radio"/></td> </tr> <tr> <td>bodenschonend</td> <td><input type="radio"/></td> <td><input type="radio"/></td> <td><input type="radio"/></td> <td><input type="radio"/></td> </tr> <tr> <td>witterungsbeständig</td> <td><input type="radio"/></td> <td><input type="radio"/></td> <td><input type="radio"/></td> <td><input type="radio"/></td> </tr> </table> | leicht lenkend | <input type="radio"/> | <input type="radio"/> | <input type="radio"/> | <input type="radio"/> | verschleißarm | <input type="radio"/> | <input type="radio"/> | <input type="radio"/> | <input type="radio"/> | stoßfest | <input type="radio"/> | <input type="radio"/> | <input type="radio"/> | <input type="radio"/> | bodenschonend | <input type="radio"/> | <input type="radio"/> | <input type="radio"/> | <input type="radio"/> | witterungsbeständig | <input type="radio"/> | <input type="radio"/> | <input type="radio"/> | <input type="radio"/> |
| leicht lenkend | <input type="radio"/> | <input type="radio"/> | <input type="radio"/> | <input type="radio"/> | | | | | | | | | | | | | | | | | | | | | | | |
| verschleißarm | <input type="radio"/> | <input type="radio"/> | <input type="radio"/> | <input type="radio"/> | | | | | | | | | | | | | | | | | | | | | | | |
| stoßfest | <input type="radio"/> | <input type="radio"/> | <input type="radio"/> | <input type="radio"/> | | | | | | | | | | | | | | | | | | | | | | | |
| bodenschonend | <input type="radio"/> | <input type="radio"/> | <input type="radio"/> | <input type="radio"/> | | | | | | | | | | | | | | | | | | | | | | | |
| witterungsbeständig | <input type="radio"/> | <input type="radio"/> | <input type="radio"/> | <input type="radio"/> | | | | | | | | | | | | | | | | | | | | | | | |

Technische Details

| | |
|--------------------------------|------------|
| ORDERNO (Artikel-nummer) | EDF 150 ZK |
| WDAB (Rad-Ø A x Breite B / mm) | 150x40 |
| LC (Tragkraft / kg) | 500 |
| H (Bauhöhe H / mm) | 195 |
| TP (Plattengröße / mm) | 135x110 |
| HS (Lochabstand / mm) | 105x80 |
| HD (Loch-Ø / mm) | 11 |
| SR (Schwenkradius / mm) | 130 |
| WB (Radlager) | Kugellager |