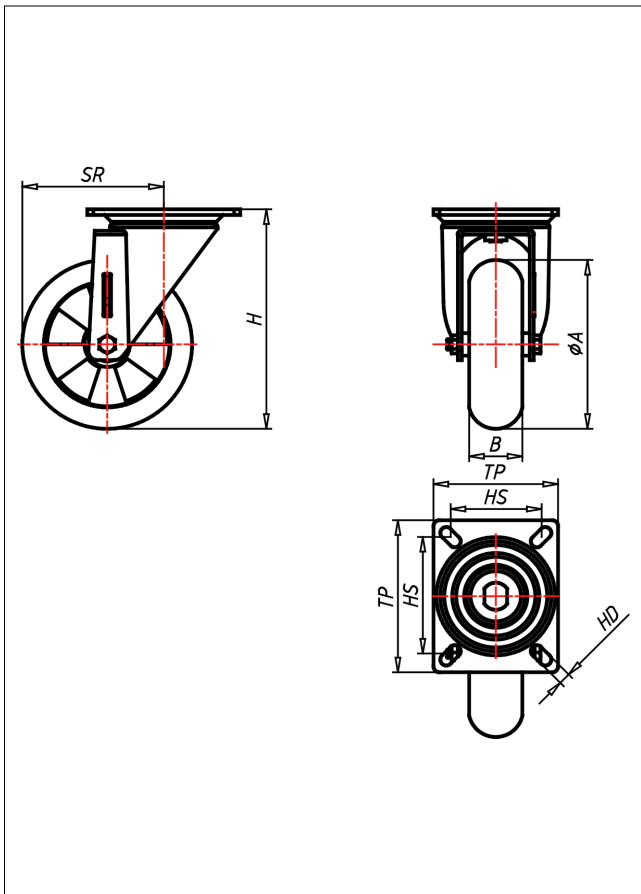
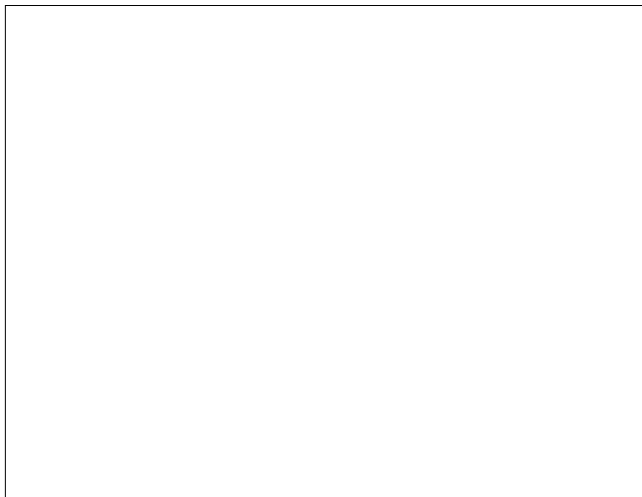
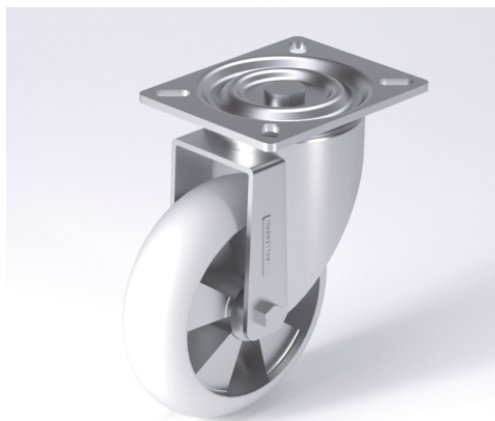




# KD/KS-EGBAK

## Lenkrolle



### KD-EGBA



**NEU!**

Lenkrolle Swivel Castor	Lenkrolle mit Totalfeststeller Swivel Castor with total lock	Bockrolle Fixed Castor																									
<ul style="list-style-type: none"> <li>sehr geräuscharmer Lauf</li> <li>sehr geringer Rollwiderstand</li> <li>abriebfest</li> <li>korrosionsbeständig</li> <li>Alternative zu Luftreifen</li> <li>SPUR9923</li> </ul> <p>Elastik-Vollgummiläufen 55 ± 3 Shore A ballig Felge aus Spritzguss-Aluminium-Legierung → Seite/Page 345</p>	<p>Laufkugeln gehärtet, Kugelbahnen gepresst, starker Zentralzapfen verschraubt - gedichtet - gesichert Staubschutzring, verzinkt</p> <p>→ Seite/Page 112</p>	<p>Auswahlhilfe Selection Criteria</p> <table border="0"> <tr> <td>leicht lenkbar/swivels easily</td> <td><input type="radio"/></td> <td><input type="radio"/></td> <td><input checked="" type="radio"/></td> <td><input type="radio"/></td> </tr> <tr> <td>verschleißarm/wear resistant</td> <td><input type="radio"/></td> <td><input type="radio"/></td> <td><input checked="" type="radio"/></td> <td><input type="radio"/></td> </tr> <tr> <td>staubfest/dust proof</td> <td><input type="radio"/></td> <td><input type="radio"/></td> <td><input checked="" type="radio"/></td> <td><input type="radio"/></td> </tr> <tr> <td>bodenschonend/floor protective</td> <td><input type="radio"/></td> <td><input type="radio"/></td> <td><input checked="" type="radio"/></td> <td><input type="radio"/></td> </tr> <tr> <td>witterungsbeständig/weather proof</td> <td><input type="radio"/></td> <td><input checked="" type="radio"/></td> <td><input type="radio"/></td> <td><input type="radio"/></td> </tr> </table>	leicht lenkbar/swivels easily	<input type="radio"/>	<input type="radio"/>	<input checked="" type="radio"/>	<input type="radio"/>	verschleißarm/wear resistant	<input type="radio"/>	<input type="radio"/>	<input checked="" type="radio"/>	<input type="radio"/>	staubfest/dust proof	<input type="radio"/>	<input type="radio"/>	<input checked="" type="radio"/>	<input type="radio"/>	bodenschonend/floor protective	<input type="radio"/>	<input type="radio"/>	<input checked="" type="radio"/>	<input type="radio"/>	witterungsbeständig/weather proof	<input type="radio"/>	<input checked="" type="radio"/>	<input type="radio"/>	<input type="radio"/>
leicht lenkbar/swivels easily	<input type="radio"/>	<input type="radio"/>	<input checked="" type="radio"/>	<input type="radio"/>																							
verschleißarm/wear resistant	<input type="radio"/>	<input type="radio"/>	<input checked="" type="radio"/>	<input type="radio"/>																							
staubfest/dust proof	<input type="radio"/>	<input type="radio"/>	<input checked="" type="radio"/>	<input type="radio"/>																							
bodenschonend/floor protective	<input type="radio"/>	<input type="radio"/>	<input checked="" type="radio"/>	<input type="radio"/>																							
witterungsbeständig/weather proof	<input type="radio"/>	<input checked="" type="radio"/>	<input type="radio"/>	<input type="radio"/>																							

### Technische Details

<b>ORDERNO (Artikel-nummer)</b>	KD 250 EGBAK
<b>WDAB (Rad-Ø A x Breite B / mm)</b>	250x50
<b>LC (Tragkraft / kg)</b>	450
<b>H (Bauhöhe H / mm)</b>	304
<b>TP (Plattengröße / mm)</b>	135x110
<b>HS (Lochabstand / mm)</b>	105x80
<b>HD (Loch-Ø / mm)</b>	12.5
<b>SR (Schwenkradius / mm)</b>	194
<b>WB (Radlager)</b>	Kugellager