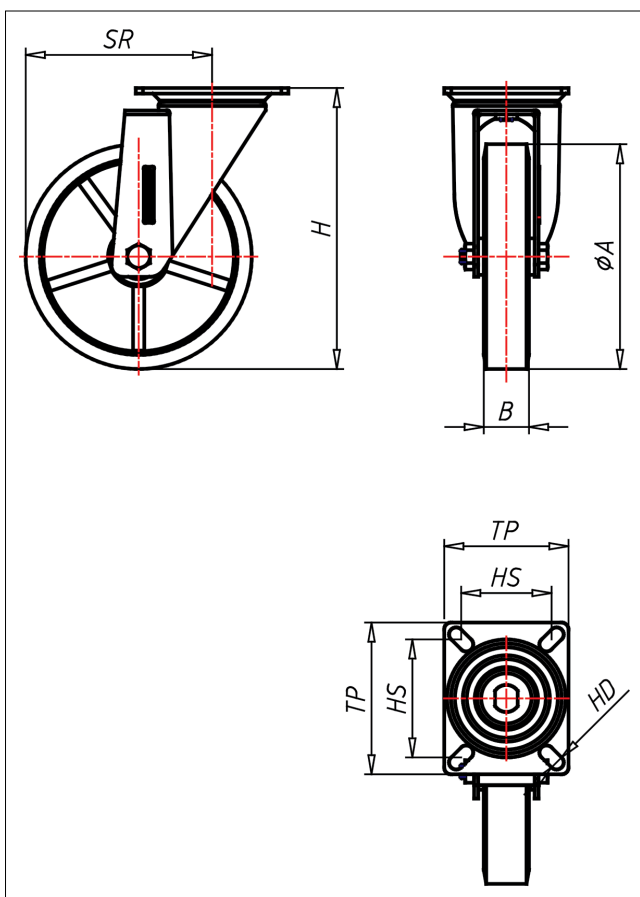
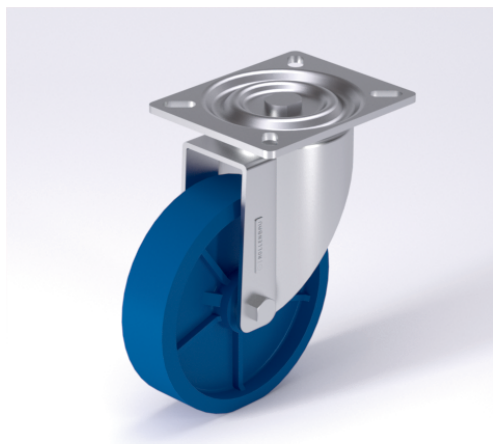




# PD-ZSK

## Lenkrolle



### PD-ZS



| Lenkrolle<br>Swivel Castor   | Lenkrolle mit Totalfeststeller<br>Swivel Castor with total lock  | Bockrolle<br>Fixed Castor  |                               |                                     |                                     |                              |                                     |                                     |                       |                                     |                                     |                                |                                     |                                     |                                   |                                     |                                     |
|--|--|--|-------------------------------|-------------------------------------|-------------------------------------|------------------------------|-------------------------------------|-------------------------------------|-----------------------|-------------------------------------|-------------------------------------|--------------------------------|-------------------------------------|-------------------------------------|-----------------------------------|-------------------------------------|-------------------------------------|
|  |  |  |                               |                                     |                                     |                              |                                     |                                     |                       |                                     |                                     |                                |                                     |                                     |                                   |                                     |                                     |
| <ul style="list-style-type: none"> <li>sehr geräuscharmer Lauf</li> <li>geringer Rollwiderstand</li> <li>abrieb- und weillust</li> <li>hohe Stofffestigkeit</li> <li>sehr beständig gegen viele aggressive Medien</li> </ul> | <ul style="list-style-type: none"> <li>gehärtete Stahlkugeln, zweifache Kugelbahnen aus gehärtetem Stahlblech, mit starkem Zentralzapfen verschraubt und gesichert - nachstellbar</li> </ul> | <p>Auswahlhilfe<br/>Selection Criteria</p> <table border="0"> <tr> <td>leicht lenkend/swivels easily</td> <td><input checked="" type="checkbox"/></td> <td><input checked="" type="checkbox"/></td> </tr> <tr> <td>verschleißarm/wear resistant</td> <td><input checked="" type="checkbox"/></td> <td><input checked="" type="checkbox"/></td> </tr> <tr> <td>stofffest/block proof</td> <td><input checked="" type="checkbox"/></td> <td><input checked="" type="checkbox"/></td> </tr> <tr> <td>bodenschonend/floor protective</td> <td><input checked="" type="checkbox"/></td> <td><input checked="" type="checkbox"/></td> </tr> <tr> <td>witterungsbeständig/weather proof</td> <td><input checked="" type="checkbox"/></td> <td><input checked="" type="checkbox"/></td> </tr> </table> | leicht lenkend/swivels easily | <input checked="" type="checkbox"/> | <input checked="" type="checkbox"/> | verschleißarm/wear resistant | <input checked="" type="checkbox"/> | <input checked="" type="checkbox"/> | stofffest/block proof | <input checked="" type="checkbox"/> | <input checked="" type="checkbox"/> | bodenschonend/floor protective | <input checked="" type="checkbox"/> | <input checked="" type="checkbox"/> | witterungsbeständig/weather proof | <input checked="" type="checkbox"/> | <input checked="" type="checkbox"/> |
| leicht lenkend/swivels easily  | <input checked="" type="checkbox"/>  | <input checked="" type="checkbox"/>  |                               |                                     |                                     |                              |                                     |                                     |                       |                                     |                                     |                                |                                     |                                     |                                   |                                     |                                     |
| verschleißarm/wear resistant   | <input checked="" type="checkbox"/>  | <input checked="" type="checkbox"/>  |                               |                                     |                                     |                              |                                     |                                     |                       |                                     |                                     |                                |                                     |                                     |                                   |                                     |                                     |
| stofffest/block proof  | <input checked="" type="checkbox"/>  | <input checked="" type="checkbox"/>  |                               |                                     |                                     |                              |                                     |                                     |                       |                                     |                                     |                                |                                     |                                     |                                   |                                     |                                     |
| bodenschonend/floor protective   | <input checked="" type="checkbox"/>  | <input checked="" type="checkbox"/>  |                               |                                     |                                     |                              |                                     |                                     |                       |                                     |                                     |                                |                                     |                                     |                                   |                                     |                                     |
| witterungsbeständig/weather proof  | <input checked="" type="checkbox"/>  | <input checked="" type="checkbox"/>  |                               |                                     |                                     |                              |                                     |                                     |                       |                                     |                                     |                                |                                     |                                     |                                   |                                     |                                     |
| <p>Guss-Polyurethane 85 + 3 shore A weich<br/>Folje Gussstahl lackiert<br/>→ Seite/Page 225</p>  | <p>→ Seite/Page 84</p>   |  |                               |                                     |                                     |                              |                                     |                                     |                       |                                     |                                     |                                |                                     |                                     |                                   |                                     |                                     |

### Technische Details

|                                |            |
|--------------------------------|------------|
| ORDERNO (Artikel-nummer)       | PD 150 ZSK |
| WDAB (Rad-Ø A x Breite B / mm) | 150x40     |
| LC (Tragkraft / kg)            | 450        |
| H (Bauhöhe H / mm)             | 195        |
| TP (Plattengröße / mm)         | 135x110    |
| HS (Lochabstand / mm)          | 105x80     |
| HD (Loch-Ø / mm)               | 10.5       |
| SR (Schwenkradius / mm)        | 125        |
| WB (Radlager)                  | Kugellager |