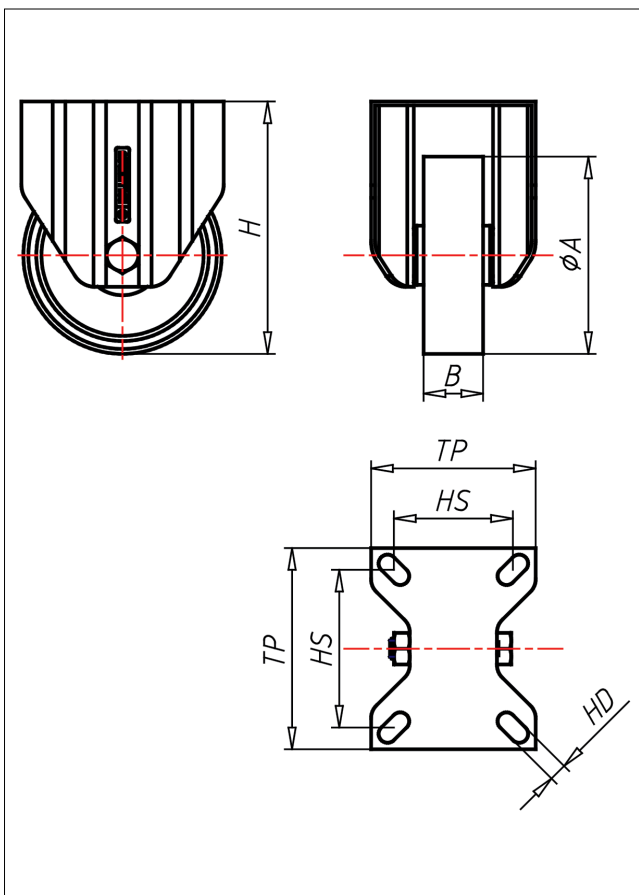
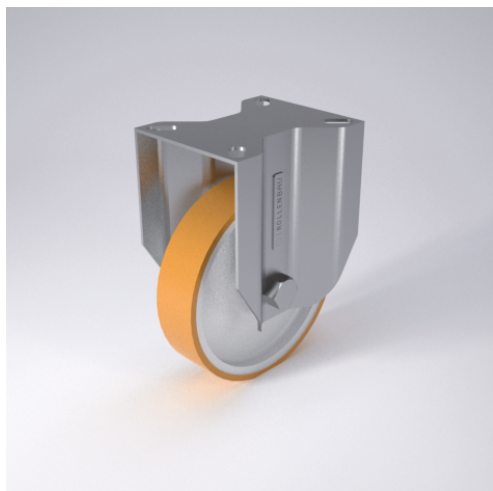




XF/XSF/XSSF/XLF- AL/ALBX Bockrolle



XD-AL



| LENKROLLE | LENKROLLE MIT TOTALFESTSTELLER | BOCKROLLE | | | | | | | | | | | | | | | | | | | | |
|--|---|--|-------------------------------------|-------------------------------------|-------------------------------------|-------------------------------------|---------------|-------------------------------------|-------------------------------------|-------------------------------------|----------|-------------------------------------|-------------------------------------|-------------------------------------|---------------|-------------------------------------|-------------------------------------|-------------------------------------|---------------------|-------------------------------------|-------------------------------------|-------------------------------------|
| | | | | | | | | | | | | | | | | | | | | | | |
| <ul style="list-style-type: none"> • geringer Rollwiderstand • abrieb- und reißfest • leichte Reinigung • sehr beständig gegen viele aggressive Medien Spritzguss-Polyurethan Felge Polyamid 6 → Seite 233 | zweifaches Kugellager - vernietet, Edelstahl AISI 304 poliert, Laufkugeln AISI 420, Staubschützring, Radachse verschraubt → Seite 110 | AUSWAHLHILFE: <table border="1"> <tr> <td>leicht lenkend</td> <td><input checked="" type="checkbox"/></td> <td><input checked="" type="checkbox"/></td> <td><input checked="" type="checkbox"/></td> </tr> <tr> <td>verschleißarm</td> <td><input checked="" type="checkbox"/></td> <td><input checked="" type="checkbox"/></td> <td><input checked="" type="checkbox"/></td> </tr> <tr> <td>stoßfest</td> <td><input checked="" type="checkbox"/></td> <td><input checked="" type="checkbox"/></td> <td><input checked="" type="checkbox"/></td> </tr> <tr> <td>bodenschonend</td> <td><input checked="" type="checkbox"/></td> <td><input checked="" type="checkbox"/></td> <td><input checked="" type="checkbox"/></td> </tr> <tr> <td>witterungsbeständig</td> <td><input checked="" type="checkbox"/></td> <td><input checked="" type="checkbox"/></td> <td><input checked="" type="checkbox"/></td> </tr> </table> | leicht lenkend | <input checked="" type="checkbox"/> | <input checked="" type="checkbox"/> | <input checked="" type="checkbox"/> | verschleißarm | <input checked="" type="checkbox"/> | <input checked="" type="checkbox"/> | <input checked="" type="checkbox"/> | stoßfest | <input checked="" type="checkbox"/> | <input checked="" type="checkbox"/> | <input checked="" type="checkbox"/> | bodenschonend | <input checked="" type="checkbox"/> | <input checked="" type="checkbox"/> | <input checked="" type="checkbox"/> | witterungsbeständig | <input checked="" type="checkbox"/> | <input checked="" type="checkbox"/> | <input checked="" type="checkbox"/> |
| leicht lenkend | <input checked="" type="checkbox"/> | <input checked="" type="checkbox"/> | <input checked="" type="checkbox"/> | | | | | | | | | | | | | | | | | | | |
| verschleißarm | <input checked="" type="checkbox"/> | <input checked="" type="checkbox"/> | <input checked="" type="checkbox"/> | | | | | | | | | | | | | | | | | | | |
| stoßfest | <input checked="" type="checkbox"/> | <input checked="" type="checkbox"/> | <input checked="" type="checkbox"/> | | | | | | | | | | | | | | | | | | | |
| bodenschonend | <input checked="" type="checkbox"/> | <input checked="" type="checkbox"/> | <input checked="" type="checkbox"/> | | | | | | | | | | | | | | | | | | | |
| witterungsbeständig | <input checked="" type="checkbox"/> | <input checked="" type="checkbox"/> | <input checked="" type="checkbox"/> | | | | | | | | | | | | | | | | | | | |

Technische Details

| | |
|---------------------------------------|---------------------|
| ORDERNO (Artikel-nummer) | XF 100 AL |
| WDAB (Rad-Ø A x Breite B / mm) | 100x30 |
| LC (Tragkraft / kg) | 150 |
| H (Bauhöhe H / mm) | 128 |
| TP (Plattengröße / mm) | 102x83 |
| HS (Lochabstand / mm) | 80x60 |
| HD (Loch-Ø / mm) | 9 |
| WB (Radlager) | Polyamid-Gleitlager |