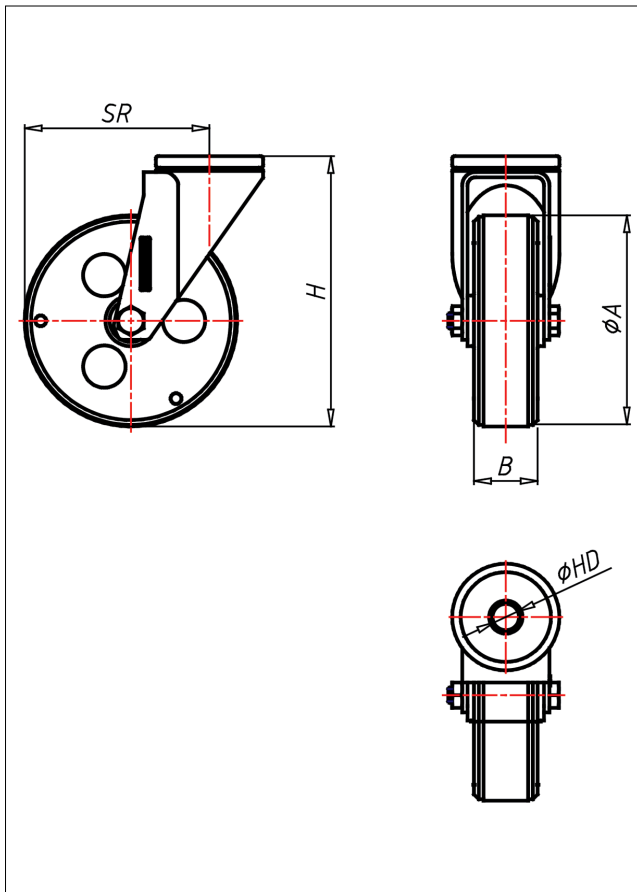




# XRH-RHX

## Lenkrolle



### XRH-RH



| LENKROLLE  |   |   |   |   |    |                |                                     |                                     |               |                                     |                                     |          |                                     |                                     |               |                                     |                                     |                     |                                     |                                     |
|--|---|---|---|---|----|----------------|-------------------------------------|-------------------------------------|---------------|-------------------------------------|-------------------------------------|----------|-------------------------------------|-------------------------------------|---------------|-------------------------------------|-------------------------------------|---------------------|-------------------------------------|-------------------------------------|
|  <ul style="list-style-type: none"> <li>• hitze- und kaltebeständig</li> <li>• geräuscharmer Lauf-<br/>quietschfrei</li> <li>• absolut wartungsfrei</li> <li>• langlebig</li> </ul> <p>rote Lauffläche aus Spezial-Teflon<br/>Felge Aluminium<br/>→ Seite 274</p>  |  <p>Edelstahl poliert, <b>zweifaches Kugellager</b>, vernietet, <b>Heißlagerfett</b><br/>→ Seite 160</p> | <p>AUSWAHLHILFE:</p> <table border="0"> <tr> <td>-</td><td>+</td><td>++</td> </tr> <tr> <td>leicht lenkend</td><td><input checked="" type="checkbox"/></td><td><input checked="" type="checkbox"/></td> </tr> <tr> <td>verschleißarm</td><td><input checked="" type="checkbox"/></td><td><input checked="" type="checkbox"/></td> </tr> <tr> <td>stoßfest</td><td><input checked="" type="checkbox"/></td><td><input checked="" type="checkbox"/></td> </tr> <tr> <td>bodenschonend</td><td><input checked="" type="checkbox"/></td><td><input checked="" type="checkbox"/></td> </tr> <tr> <td>witterungsbeständig</td><td><input checked="" type="checkbox"/></td><td><input checked="" type="checkbox"/></td> </tr> </table> | - | + | ++ | leicht lenkend | <input checked="" type="checkbox"/> | <input checked="" type="checkbox"/> | verschleißarm | <input checked="" type="checkbox"/> | <input checked="" type="checkbox"/> | stoßfest | <input checked="" type="checkbox"/> | <input checked="" type="checkbox"/> | bodenschonend | <input checked="" type="checkbox"/> | <input checked="" type="checkbox"/> | witterungsbeständig | <input checked="" type="checkbox"/> | <input checked="" type="checkbox"/> |
| -  | +   | ++  |   |   |    |                |                                     |                                     |               |                                     |                                     |          |                                     |                                     |               |                                     |                                     |                     |                                     |                                     |
| leicht lenkend   | <input checked="" type="checkbox"/>   | <input checked="" type="checkbox"/>   |   |   |    |                |                                     |                                     |               |                                     |                                     |          |                                     |                                     |               |                                     |                                     |                     |                                     |                                     |
| verschleißarm  | <input checked="" type="checkbox"/>   | <input checked="" type="checkbox"/>   |   |   |    |                |                                     |                                     |               |                                     |                                     |          |                                     |                                     |               |                                     |                                     |                     |                                     |                                     |
| stoßfest   | <input checked="" type="checkbox"/>   | <input checked="" type="checkbox"/>   |   |   |    |                |                                     |                                     |               |                                     |                                     |          |                                     |                                     |               |                                     |                                     |                     |                                     |                                     |
| bodenschonend  | <input checked="" type="checkbox"/>   | <input checked="" type="checkbox"/>   |   |   |    |                |                                     |                                     |               |                                     |                                     |          |                                     |                                     |               |                                     |                                     |                     |                                     |                                     |
| witterungsbeständig  | <input checked="" type="checkbox"/>   | <input checked="" type="checkbox"/>   |   |   |    |                |                                     |                                     |               |                                     |                                     |          |                                     |                                     |               |                                     |                                     |                     |                                     |                                     |

### Technische Details

|                                       |             |
|---------------------------------------|-------------|
| <b>ORDERNO (Artikel-nummer)</b>       | XRH 100 RHX |
| <b>WDAB (Rad-Ø A x Breite B / mm)</b> | 100x30      |
| <b>LC (Tragkraft / kg)</b>            | 100         |
| <b>H (Bauhöhe H / mm)</b>             | 128         |
| <b>HD (Loch-Ø / mm)</b>               | 12.5        |
| <b>SR (Schwenkradius / mm)</b>        | 87          |
| <b>WB (Radlager)</b>                  | Gleitlager  |