


Swivel castor ED 102 ZK

Extra Heavy Duty Series ED - Wheel Z

 -30 °C - +80 °C

+++
swivels easily

+++
wear resistant

+++
shock proof

+++
floor protective

+++
weather proof

Wheel



Tread: Cast polyurethane, 95±3 Shore A

Wheel centre, Cast-iron - painted

Fork

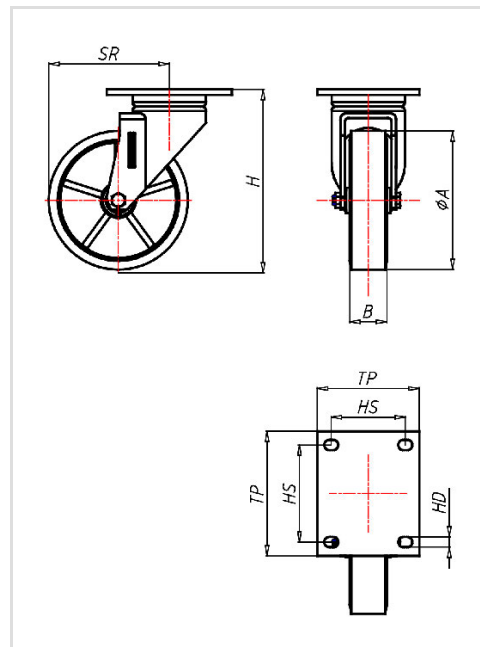


For applications where a super strong and durable caster is required,
one tapered roller and one axial ball bearing,
dust protection ring,
very strong integrated Kingpin,
locked nut, grease nipple, wheel axle bolted,
finish – painted

Swivel castor	Wheel-Ø A x width B mm: 100x50
Load Capacity kg:	450
Load capacity tested according to EN 12530 and EN 12527	
Overall height H mm:	160
Dimension of top plate TP mm:	135x110
Hole spacing HS mm:	105x80
Hole-Ø HD mm:	11
Swivel radius SR mm:	103
Wheel bearing:	Ball bearing

Advantages

- ✓ silent in motion
- ✓ low rolling resistance
- ✓ high abrasion and tear resistance
- ✓ high resistance to shocks
- ✓ good chemical resistance



Applications

- Metal-Technology
- Heavy duty dollies
- Trash container trucks
- Machinery moving dollies
- Workshops
- Racks
- Building-Industry
- Carpentry