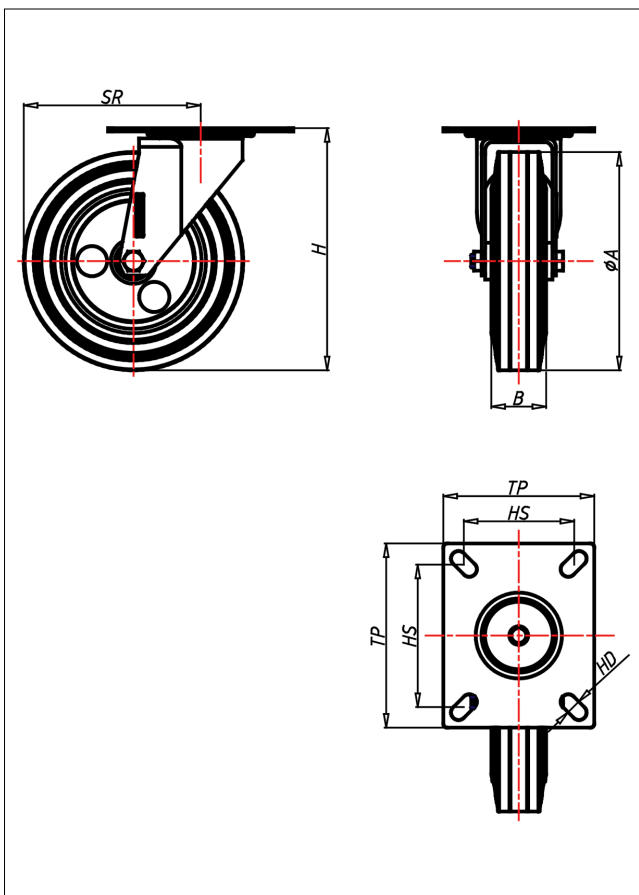
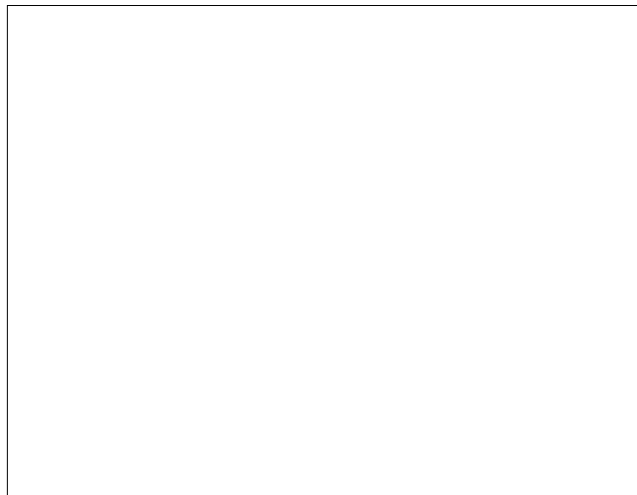




CD/CS/CSS-ELB/ELK

Lenkrolle



CD-EL



| LENKROLLE | LENKROLLE MIT TOTALFESTSTELLER | BOCKROLLE | | | | | | | | | | | | | | | | | | | | | | | | | |
|------------------------------------------------------------------------------------------------------------------------------------------------------------------------------------------------------------------------------------------------------------------------------------------------------------------------|----------------------------------------------------------------------------------------------------------------------------------------------------------|----------------------------------------------------------------------------------------------------------------------------------------------------------------------------------------------------------------------------------------------------------------------------------------------------------------------------------------------------------------------------------------------------------------------------------------------------------|----------------|---|---|---|---|---------------|---|---|---|---|----------|---|---|---|---|---------------|---|---|---|---|---------------------|---|---|---|---|
| | | | | | | | | | | | | | | | | | | | | | | | | | | | |
| <ul style="list-style-type: none"> • elektrisch leitfähig • Widerstand <math><10^0 \Omega</math> • geräuscharmer Lauf • großer Fahrkomfort • beständig gegen verdünnte Säuren <p>Vollgummi schwarz Felge Stahlblech verzinkt → Seite 257</p> | <p>zweifaches Kugellager - vernietet Stahllageln gehärtet Dichtungsring Radachse verschraubt, verzinkt-chrompassiviert</p> <p>→ Seite 62</p> | <p>AUSWAHLHILFE:</p> <table border="0"> <tr> <td>leicht lenkend</td> <td>☐</td> <td>☐</td> <td>☐</td> <td>☐</td> </tr> <tr> <td>verschleißarm</td> <td>☐</td> <td>☐</td> <td>☐</td> <td>☐</td> </tr> <tr> <td>stoßfest</td> <td>☐</td> <td>☐</td> <td>☐</td> <td>☐</td> </tr> <tr> <td>bodenschonend</td> <td>☐</td> <td>☐</td> <td>☐</td> <td>☐</td> </tr> <tr> <td>witterungsbeständig</td> <td>☐</td> <td>☐</td> <td>☐</td> <td>☐</td> </tr> </table> | leicht lenkend | ☐ | ☐ | ☐ | ☐ | verschleißarm | ☐ | ☐ | ☐ | ☐ | stoßfest | ☐ | ☐ | ☐ | ☐ | bodenschonend | ☐ | ☐ | ☐ | ☐ | witterungsbeständig | ☐ | ☐ | ☐ | ☐ |
| leicht lenkend | ☐ | ☐ | ☐ | ☐ | | | | | | | | | | | | | | | | | | | | | | | |
| verschleißarm | ☐ | ☐ | ☐ | ☐ | | | | | | | | | | | | | | | | | | | | | | | |
| stoßfest | ☐ | ☐ | ☐ | ☐ | | | | | | | | | | | | | | | | | | | | | | | |
| bodenschonend | ☐ | ☐ | ☐ | ☐ | | | | | | | | | | | | | | | | | | | | | | | |
| witterungsbeständig | ☐ | ☐ | ☐ | ☐ | | | | | | | | | | | | | | | | | | | | | | | |

Technische Details

| | |
|--------------------------------|------------|
| ORDERNO (Artikel-nummer) | CD 160 ELK |
| WDAB (Rad-Ø A x Breite B / mm) | 160x40 |
| LC (Tragkraft / kg) | 135 |
| H (Bauhöhe H / mm) | 191 |
| TP (Plattengröße / mm) | 135x110 |
| HS (Lochabstand / mm) | 105x80 |
| HD (Loch-Ø / mm) | 11 |
| SR (Schwenkradius / mm) | 131 |
| WB (Radlager) | Kugellager |