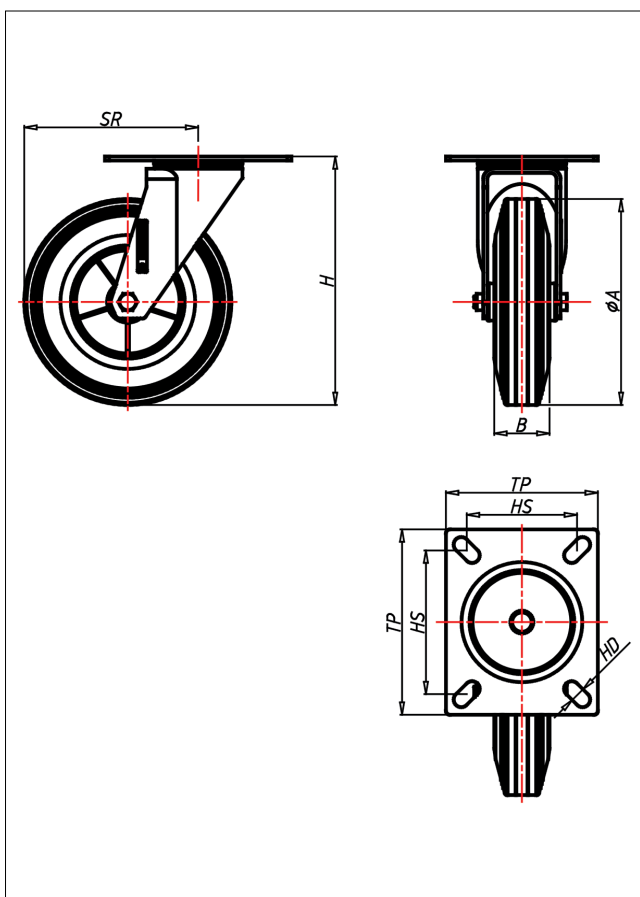




# CD/CL-DGB/DG

## Lenkrolle



### CD-DG



| LENKROLLE   | LENKROLLE MIT TOTALFESTSTELLER  | BOCKROLLE  |                          |                                     |                          |                          |               |                                     |                          |                          |          |                                     |                          |                          |               |                                     |                          |                          |                     |                                     |                          |                          |
|---|---|--|--------------------------|-------------------------------------|--------------------------|--------------------------|---------------|-------------------------------------|--------------------------|--------------------------|----------|-------------------------------------|--------------------------|--------------------------|---------------|-------------------------------------|--------------------------|--------------------------|---------------------|-------------------------------------|--------------------------|--------------------------|
| <br><ul style="list-style-type: none"> <li>• spurfrei - bodenschonend</li> <li>• hoher Fahrkomfort</li> <li>• sehr laufruhig</li> <li>• geringer Rollwiderstand</li> <li>• abriebfest</li> </ul> ELASTIK-Vollgummi<br>Felge Kunststoff<br>→ Seite 262 | <br>zweifaches Kugellager - vernietet<br>Stahlkugeln gehärtet<br>Dichtungsring,<br>Radachse verschraubt, verzinkt-<br>chrompassiviert<br>→ Seite 62 | <br>AUSWAHLHILFE: <table border="0"> <tr> <td>leicht lenkend</td> <td><input checked="" type="checkbox"/></td> <td><input type="checkbox"/></td> <td><input type="checkbox"/></td> </tr> <tr> <td>verschleißarm</td> <td><input checked="" type="checkbox"/></td> <td><input type="checkbox"/></td> <td><input type="checkbox"/></td> </tr> <tr> <td>stoßfest</td> <td><input checked="" type="checkbox"/></td> <td><input type="checkbox"/></td> <td><input type="checkbox"/></td> </tr> <tr> <td>bodenschonend</td> <td><input checked="" type="checkbox"/></td> <td><input type="checkbox"/></td> <td><input type="checkbox"/></td> </tr> <tr> <td>witterungsbeständig</td> <td><input checked="" type="checkbox"/></td> <td><input type="checkbox"/></td> <td><input type="checkbox"/></td> </tr> </table> | leicht lenkend           | <input checked="" type="checkbox"/> | <input type="checkbox"/> | <input type="checkbox"/> | verschleißarm | <input checked="" type="checkbox"/> | <input type="checkbox"/> | <input type="checkbox"/> | stoßfest | <input checked="" type="checkbox"/> | <input type="checkbox"/> | <input type="checkbox"/> | bodenschonend | <input checked="" type="checkbox"/> | <input type="checkbox"/> | <input type="checkbox"/> | witterungsbeständig | <input checked="" type="checkbox"/> | <input type="checkbox"/> | <input type="checkbox"/> |
| leicht lenkend  | <input checked="" type="checkbox"/>   | <input type="checkbox"/>   | <input type="checkbox"/> |                                     |                          |                          |               |                                     |                          |                          |          |                                     |                          |                          |               |                                     |                          |                          |                     |                                     |                          |                          |
| verschleißarm   | <input checked="" type="checkbox"/>   | <input type="checkbox"/>   | <input type="checkbox"/> |                                     |                          |                          |               |                                     |                          |                          |          |                                     |                          |                          |               |                                     |                          |                          |                     |                                     |                          |                          |
| stoßfest  | <input checked="" type="checkbox"/>   | <input type="checkbox"/>   | <input type="checkbox"/> |                                     |                          |                          |               |                                     |                          |                          |          |                                     |                          |                          |               |                                     |                          |                          |                     |                                     |                          |                          |
| bodenschonend   | <input checked="" type="checkbox"/>   | <input type="checkbox"/>   | <input type="checkbox"/> |                                     |                          |                          |               |                                     |                          |                          |          |                                     |                          |                          |               |                                     |                          |                          |                     |                                     |                          |                          |
| witterungsbeständig   | <input checked="" type="checkbox"/>   | <input type="checkbox"/>   | <input type="checkbox"/> |                                     |                          |                          |               |                                     |                          |                          |          |                                     |                          |                          |               |                                     |                          |                          |                     |                                     |                          |                          |

### Technische Details

|                                |             |
|--------------------------------|-------------|
| ORDERNO (Artikel-nummer)       | CD 200 DGB  |
| WDAB (Rad-Ø A x Breite B / mm) | 200x50      |
| LC (Tragkraft / kg)            | 230         |
| H (Bauhöhe H / mm)             | 240         |
| TP (Plattengröße / mm)         | 135x110     |
| HS (Lochabstand / mm)          | 105x80      |
| HD (Loch-Ø / mm)               | 11          |
| SR (Schwenkradius / mm)        | 159         |
| WB (Radlager)                  | Rollenlager |