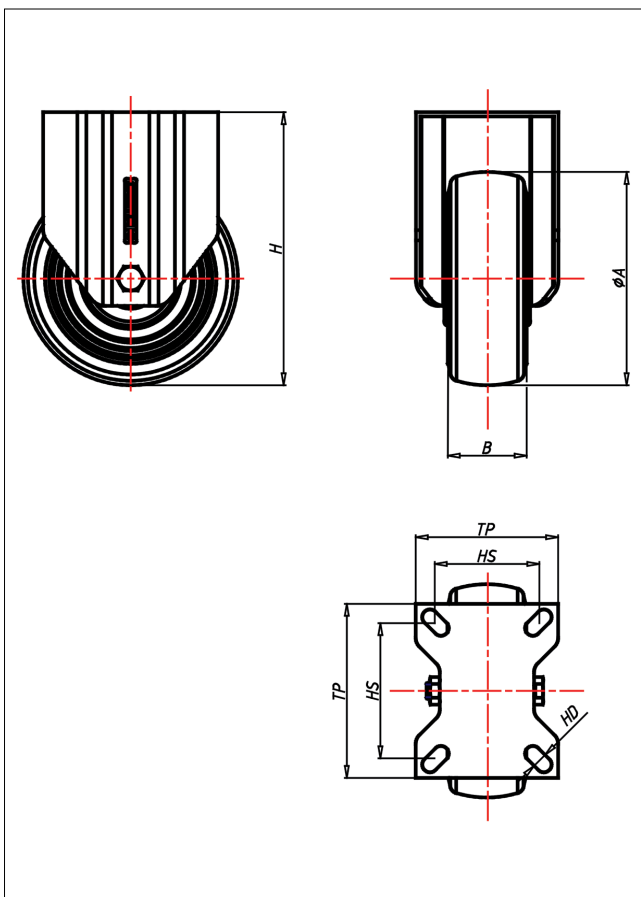
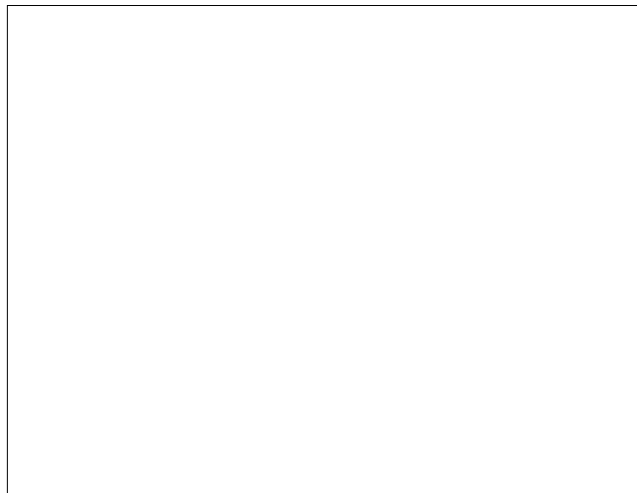




CDF/CSF/CSSF-AELK

Bockrolle



CD-AEL



| LENKROLLE | LENKROLLE MIT TOTALFESTSTELLER | BOCKROLLE | | | | | | | | | | | | | | | | | | | | |
|--|--|---|-------------------------------------|--------------------------|-------------------------------------|-------------------------------------|---------------|--------------------------|-------------------------------------|-------------------------------------|----------|--------------------------|-------------------------------------|-------------------------------------|---------------|--------------------------|-------------------------------------|-------------------------------------|---------------------|-------------------------------------|-------------------------------------|-------------------------------------|
|  <ul style="list-style-type: none"> • elektrisch leitfähig • geräuscharmer Lauf • geringer Rollwiderstand • spurfrei • hohe Stoßfestigkeit • sehr beständig gegen viele aggressive Medien <p>Polyurethan Felge Polyamid 6 → Seite 255</p>  |  <ul style="list-style-type: none"> • zweifaches Kugellager - vernietet • Stahlkugeln gehärtet • Dichtungsring • Radachse verschraubt, verzinkt-chrompassiviert <p>→ Seite 62</p> |  <p>AUSWAHLHILFE:</p> <table border="0"> <tr> <td>leicht lenkend</td> <td><input type="checkbox"/></td> <td><input checked="" type="checkbox"/></td> <td><input checked="" type="checkbox"/></td> </tr> <tr> <td>verschleißarm</td> <td><input type="checkbox"/></td> <td><input checked="" type="checkbox"/></td> <td><input checked="" type="checkbox"/></td> </tr> <tr> <td>stoßfest</td> <td><input type="checkbox"/></td> <td><input checked="" type="checkbox"/></td> <td><input checked="" type="checkbox"/></td> </tr> <tr> <td>bodenschonend</td> <td><input type="checkbox"/></td> <td><input checked="" type="checkbox"/></td> <td><input checked="" type="checkbox"/></td> </tr> <tr> <td>witterungsbeständig</td> <td><input checked="" type="checkbox"/></td> <td><input checked="" type="checkbox"/></td> <td><input checked="" type="checkbox"/></td> </tr> </table> | leicht lenkend | <input type="checkbox"/> | <input checked="" type="checkbox"/> | <input checked="" type="checkbox"/> | verschleißarm | <input type="checkbox"/> | <input checked="" type="checkbox"/> | <input checked="" type="checkbox"/> | stoßfest | <input type="checkbox"/> | <input checked="" type="checkbox"/> | <input checked="" type="checkbox"/> | bodenschonend | <input type="checkbox"/> | <input checked="" type="checkbox"/> | <input checked="" type="checkbox"/> | witterungsbeständig | <input checked="" type="checkbox"/> | <input checked="" type="checkbox"/> | <input checked="" type="checkbox"/> |
| leicht lenkend | <input type="checkbox"/> | <input checked="" type="checkbox"/> | <input checked="" type="checkbox"/> | | | | | | | | | | | | | | | | | | | |
| verschleißarm | <input type="checkbox"/> | <input checked="" type="checkbox"/> | <input checked="" type="checkbox"/> | | | | | | | | | | | | | | | | | | | |
| stoßfest | <input type="checkbox"/> | <input checked="" type="checkbox"/> | <input checked="" type="checkbox"/> | | | | | | | | | | | | | | | | | | | |
| bodenschonend | <input type="checkbox"/> | <input checked="" type="checkbox"/> | <input checked="" type="checkbox"/> | | | | | | | | | | | | | | | | | | | |
| witterungsbeständig | <input checked="" type="checkbox"/> | <input checked="" type="checkbox"/> | <input checked="" type="checkbox"/> | | | | | | | | | | | | | | | | | | | |

Technische Details

| | |
|--------------------------------|--------------|
| ORDERNO (Artikel-nummer) | CDF 100 AELK |
| WDAB (Rad-Ø A x Breite B / mm) | 100x32 |
| LC (Tragkraft / kg) | 120 |
| H (Bauhöhe H / mm) | 128 |
| TP (Plattengröße / mm) | 102x83 |
| HS (Lochabstand / mm) | 80x60 |
| HD (Loch-Ø / mm) | 9 |
| WB (Radlager) | Kugellager |