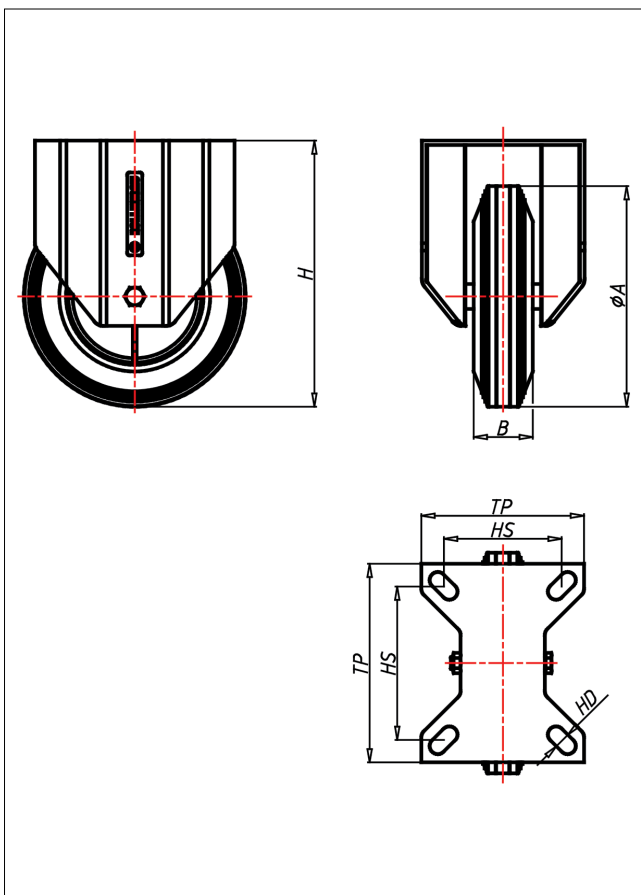
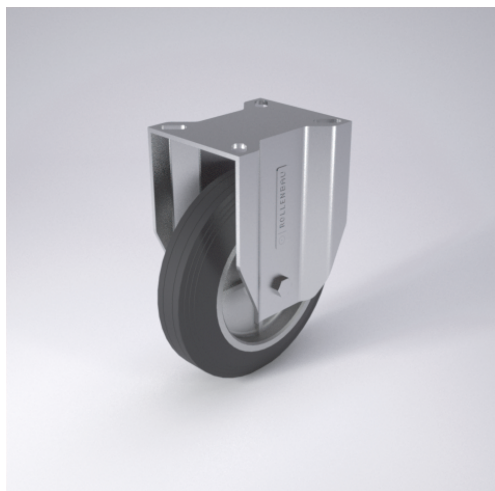




CDF/CSF/CLF-CK/CB

Bockrolle



CD-C



| LENKROLLE | LENKROLLE MIT TOTALFESTSTELLER | BOCKROLLE | | | | | | | | | | | | | | | | | | | | |
|--|--|--|--------------------------|-------------------------------------|--------------------------|--------------------------|---------------|-------------------------------------|--------------------------|--------------------------|----------|-------------------------------------|--------------------------|--------------------------|---------------|--------------------------|--------------------------|--------------------------|---------------------|-------------------------------------|--------------------------|--------------------------|
| <ul style="list-style-type: none"> geräuscharmer Lauf großer Fahrkomfort beständig gegen verdünnte Säuren <p>Vollgummi schwarz Felge Stahlblech verzinkt → Seite 255</p>  | <ul style="list-style-type: none"> zweifaches Kugellager - vernietet Stahlkugeln gehärtet Dichtungsring, Radachse verschraubt, verzinkt-chrompassiviert <p>→ Seite 62</p>  | <p>AUSWAHLHILFE:</p> <table border="0"> <tr> <td>leicht lenkend</td> <td><input checked="" type="checkbox"/></td> <td><input type="checkbox"/></td> <td><input type="checkbox"/></td> </tr> <tr> <td>verschleißarm</td> <td><input checked="" type="checkbox"/></td> <td><input type="checkbox"/></td> <td><input type="checkbox"/></td> </tr> <tr> <td>stoßfest</td> <td><input checked="" type="checkbox"/></td> <td><input type="checkbox"/></td> <td><input type="checkbox"/></td> </tr> <tr> <td>bodenschonend</td> <td><input type="checkbox"/></td> <td><input type="checkbox"/></td> <td><input type="checkbox"/></td> </tr> <tr> <td>witterungsbeständig</td> <td><input checked="" type="checkbox"/></td> <td><input type="checkbox"/></td> <td><input type="checkbox"/></td> </tr> </table> | leicht lenkend | <input checked="" type="checkbox"/> | <input type="checkbox"/> | <input type="checkbox"/> | verschleißarm | <input checked="" type="checkbox"/> | <input type="checkbox"/> | <input type="checkbox"/> | stoßfest | <input checked="" type="checkbox"/> | <input type="checkbox"/> | <input type="checkbox"/> | bodenschonend | <input type="checkbox"/> | <input type="checkbox"/> | <input type="checkbox"/> | witterungsbeständig | <input checked="" type="checkbox"/> | <input type="checkbox"/> | <input type="checkbox"/> |
| leicht lenkend | <input checked="" type="checkbox"/> | <input type="checkbox"/> | <input type="checkbox"/> | | | | | | | | | | | | | | | | | | | |
| verschleißarm | <input checked="" type="checkbox"/> | <input type="checkbox"/> | <input type="checkbox"/> | | | | | | | | | | | | | | | | | | | |
| stoßfest | <input checked="" type="checkbox"/> | <input type="checkbox"/> | <input type="checkbox"/> | | | | | | | | | | | | | | | | | | | |
| bodenschonend | <input type="checkbox"/> | <input type="checkbox"/> | <input type="checkbox"/> | | | | | | | | | | | | | | | | | | | |
| witterungsbeständig | <input checked="" type="checkbox"/> | <input type="checkbox"/> | <input type="checkbox"/> | | | | | | | | | | | | | | | | | | | |

Technische Details

| | |
|--------------------------------|------------|
| ORDERNO (Artikel-nummer) | CDF 200 CK |
| WHEEL () | 200 CK 12 |
| WDAB (Rad-Ø A x Breite B / mm) | 200x50 |
| LC (Tragkraft / kg) | 230 |
| H (Bauhöhe H / mm) | 240 |
| TP (Plattengröße / mm) | 135x110 |
| HS (Lochabstand / mm) | 105x80 |
| HD (Loch-Ø / mm) | 11 |
| WB (Radlager) | Kugellager |