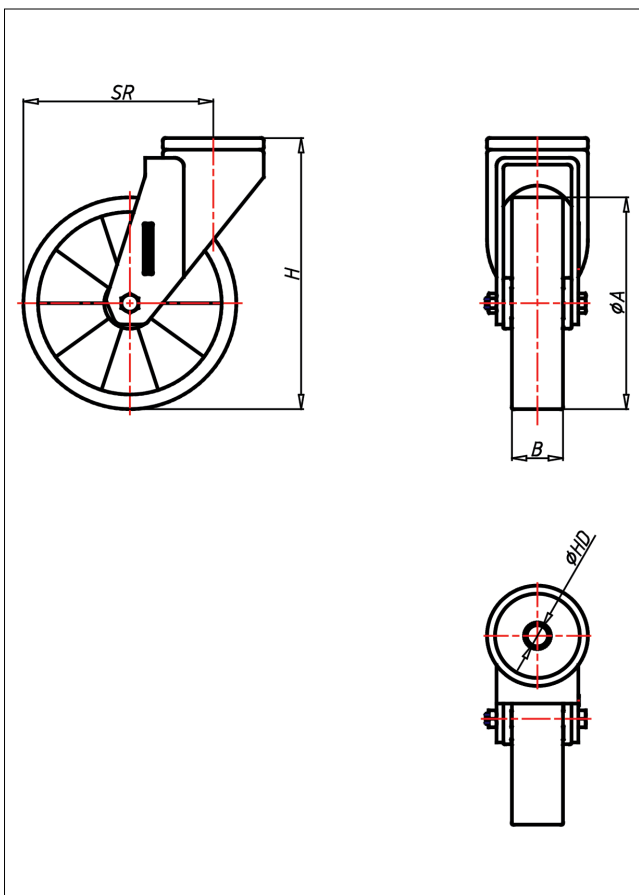




# CR/CRS-TLK/TLB

## Lenkrolle



### CR-TL



| LENKROLLE   | LENKROLLE MIT TOTALFESTSTELLER   |  |                                     |                          |                                     |                                     |               |                          |                                     |                                     |          |                          |                                     |                                     |               |                          |                                     |                                     |                     |                          |                                     |                                     |
|---|--|--|-------------------------------------|--------------------------|-------------------------------------|-------------------------------------|---------------|--------------------------|-------------------------------------|-------------------------------------|----------|--------------------------|-------------------------------------|-------------------------------------|---------------|--------------------------|-------------------------------------|-------------------------------------|---------------------|--------------------------|-------------------------------------|-------------------------------------|
|   |  |  |                                     |                          |                                     |                                     |               |                          |                                     |                                     |          |                          |                                     |                                     |               |                          |                                     |                                     |                     |                          |                                     |                                     |
| <ul style="list-style-type: none"> <li>geräuscharmer Lauf</li> <li>geringer Rollwiderstand</li> <li>abrieb- und reißfest</li> <li>hohe Stoßfestigkeit</li> <li>sehr beständig gegen viele aggressive Medien</li> </ul> <p>Guss-Polyurethan Felge<br/>Spritzguss-Aluminium-Legierung<br/>→ Seite 250</p> | <p>zweifaches Kugellager - vernietet<br/>Stahlkugeln gehärtet<br/>Radachse verschraubt, verzinkt</p> <p>→ Seite 62</p> | <p>AUSWAHLHILFE:</p> <table border="1"> <tr> <td>leicht lenkend</td> <td><input type="checkbox"/></td> <td><input checked="" type="checkbox"/></td> <td><input checked="" type="checkbox"/></td> </tr> <tr> <td>verschleißarm</td> <td><input type="checkbox"/></td> <td><input checked="" type="checkbox"/></td> <td><input checked="" type="checkbox"/></td> </tr> <tr> <td>stoßfest</td> <td><input type="checkbox"/></td> <td><input checked="" type="checkbox"/></td> <td><input checked="" type="checkbox"/></td> </tr> <tr> <td>bodenschonend</td> <td><input type="checkbox"/></td> <td><input checked="" type="checkbox"/></td> <td><input checked="" type="checkbox"/></td> </tr> <tr> <td>witterungsbeständig</td> <td><input type="checkbox"/></td> <td><input checked="" type="checkbox"/></td> <td><input checked="" type="checkbox"/></td> </tr> </table> | leicht lenkend                      | <input type="checkbox"/> | <input checked="" type="checkbox"/> | <input checked="" type="checkbox"/> | verschleißarm | <input type="checkbox"/> | <input checked="" type="checkbox"/> | <input checked="" type="checkbox"/> | stoßfest | <input type="checkbox"/> | <input checked="" type="checkbox"/> | <input checked="" type="checkbox"/> | bodenschonend | <input type="checkbox"/> | <input checked="" type="checkbox"/> | <input checked="" type="checkbox"/> | witterungsbeständig | <input type="checkbox"/> | <input checked="" type="checkbox"/> | <input checked="" type="checkbox"/> |
| leicht lenkend  | <input type="checkbox"/>   | <input checked="" type="checkbox"/>  | <input checked="" type="checkbox"/> |                          |                                     |                                     |               |                          |                                     |                                     |          |                          |                                     |                                     |               |                          |                                     |                                     |                     |                          |                                     |                                     |
| verschleißarm   | <input type="checkbox"/>   | <input checked="" type="checkbox"/>  | <input checked="" type="checkbox"/> |                          |                                     |                                     |               |                          |                                     |                                     |          |                          |                                     |                                     |               |                          |                                     |                                     |                     |                          |                                     |                                     |
| stoßfest  | <input type="checkbox"/>   | <input checked="" type="checkbox"/>  | <input checked="" type="checkbox"/> |                          |                                     |                                     |               |                          |                                     |                                     |          |                          |                                     |                                     |               |                          |                                     |                                     |                     |                          |                                     |                                     |
| bodenschonend   | <input type="checkbox"/>   | <input checked="" type="checkbox"/>  | <input checked="" type="checkbox"/> |                          |                                     |                                     |               |                          |                                     |                                     |          |                          |                                     |                                     |               |                          |                                     |                                     |                     |                          |                                     |                                     |
| witterungsbeständig   | <input type="checkbox"/>   | <input checked="" type="checkbox"/>  | <input checked="" type="checkbox"/> |                          |                                     |                                     |               |                          |                                     |                                     |          |                          |                                     |                                     |               |                          |                                     |                                     |                     |                          |                                     |                                     |

### Technische Details

|                                       |             |
|---------------------------------------|-------------|
| <b>ORDERNO (Artikel-nummer)</b>       | CRS 125 TLB |
| <b>WDAB (Rad-Ø A x Breite B / mm)</b> | 125x30      |
| <b>LC (Tragkraft / kg)</b>            | 200         |
| <b>H (Bauhöhe H / mm)</b>             | 160         |
| <b>HD (Loch-Ø / mm)</b>               | 12.5        |
| <b>SR (Schwenkradius / mm)</b>        | 111.5       |
| <b>WB (Radlager)</b>                  | Rollenlager |