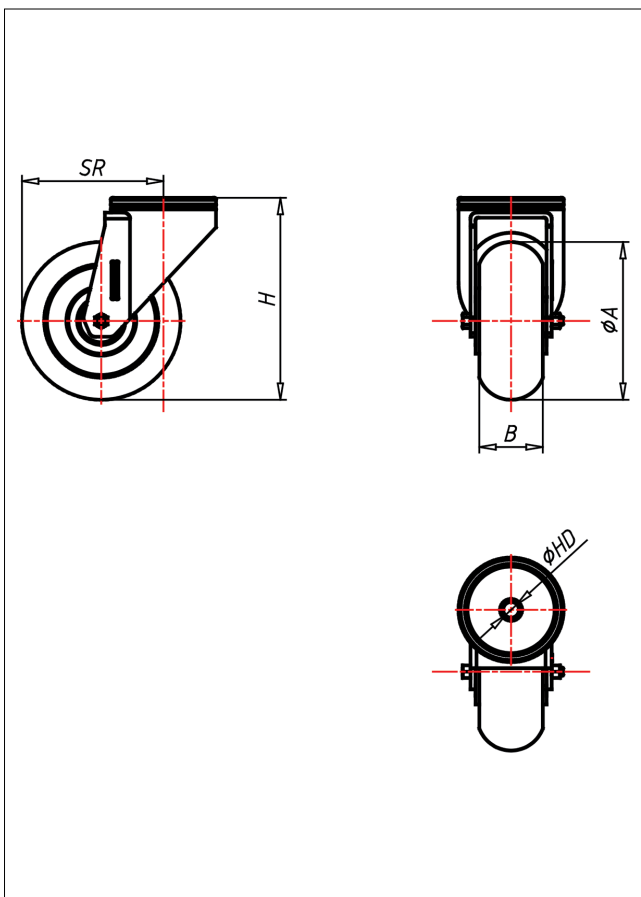




CRS/CR-TLSBAK

Lenkrolle



CR-TLSBA



+80 °C
-20° C

max.
300 kg



| CR-TLSBA | CR-TLSBA | CR-TLSBA | | | | | | | | | | | | | | | | | | | | |
|---|--|---|-------------------------------|--------------------------|--------------------------|--------------------------|------------------------------|--------------------------|--------------------------|--------------------------|----------------------|--------------------------|--------------------------|--------------------------|--------------------------------|--------------------------|--------------------------|--------------------------|-----------------------------------|--------------------------|--------------------------|--------------------------|
| <p>NEU!</p> <p>Lenkrolle Swivel Castor</p> | <p>Lenkrolle mit Totfeststeller Swivel Castor with total lock</p> | | | | | | | | | | | | | | | | | | | | | |
| <ul style="list-style-type: none"> sehr geräuscharmer Lauf sehr geringer Rollwiderstand sehr drehfreudig abrieb- und reißfest sehr beständig gegen viele aggressive Medien <p>Guss-Polyurethan 85±2 Shore A weich ballig Felge Spritzguss-Aluminium-Legierung → Seite/Page 333</p> | <p>zweifaches Kugellager – vernietet Stahlkugeln gehärtet, Radnische verschraubt, verzinkt</p> <p>→ Seite/Page 112</p> | <p>Auswahlhilfe Selection Criteria</p> <table border="1"> <tr> <td>leicht lenkend/swivels easily</td> <td><input type="checkbox"/></td> <td><input type="checkbox"/></td> <td><input type="checkbox"/></td> </tr> <tr> <td>verschleißarm/wear resistant</td> <td><input type="checkbox"/></td> <td><input type="checkbox"/></td> <td><input type="checkbox"/></td> </tr> <tr> <td>stoßfest/shock proof</td> <td><input type="checkbox"/></td> <td><input type="checkbox"/></td> <td><input type="checkbox"/></td> </tr> <tr> <td>bodenschonend/floor protective</td> <td><input type="checkbox"/></td> <td><input type="checkbox"/></td> <td><input type="checkbox"/></td> </tr> <tr> <td>witterungsbeständig/weather proof</td> <td><input type="checkbox"/></td> <td><input type="checkbox"/></td> <td><input type="checkbox"/></td> </tr> </table> | leicht lenkend/swivels easily | <input type="checkbox"/> | <input type="checkbox"/> | <input type="checkbox"/> | verschleißarm/wear resistant | <input type="checkbox"/> | <input type="checkbox"/> | <input type="checkbox"/> | stoßfest/shock proof | <input type="checkbox"/> | <input type="checkbox"/> | <input type="checkbox"/> | bodenschonend/floor protective | <input type="checkbox"/> | <input type="checkbox"/> | <input type="checkbox"/> | witterungsbeständig/weather proof | <input type="checkbox"/> | <input type="checkbox"/> | <input type="checkbox"/> |
| leicht lenkend/swivels easily | <input type="checkbox"/> | <input type="checkbox"/> | <input type="checkbox"/> | | | | | | | | | | | | | | | | | | | |
| verschleißarm/wear resistant | <input type="checkbox"/> | <input type="checkbox"/> | <input type="checkbox"/> | | | | | | | | | | | | | | | | | | | |
| stoßfest/shock proof | <input type="checkbox"/> | <input type="checkbox"/> | <input type="checkbox"/> | | | | | | | | | | | | | | | | | | | |
| bodenschonend/floor protective | <input type="checkbox"/> | <input type="checkbox"/> | <input type="checkbox"/> | | | | | | | | | | | | | | | | | | | |
| witterungsbeständig/weather proof | <input type="checkbox"/> | <input type="checkbox"/> | <input type="checkbox"/> | | | | | | | | | | | | | | | | | | | |

Technische Details

| | |
|--------------------------------|----------------|
| ORDERNO (Artikel-nummer) | CRS 125 TLSBAK |
| WDAB (Rad-Ø A x Breite B / mm) | 125x50 |
| LC (Tragkraft / kg) | 200 |
| H (Bauhöhe H / mm) | 160 |
| HD (Loch-Ø / mm) | 12.5 |
| SR (Schwenkradius / mm) | 111.5 |
| WB (/ mm) | Kugellager |