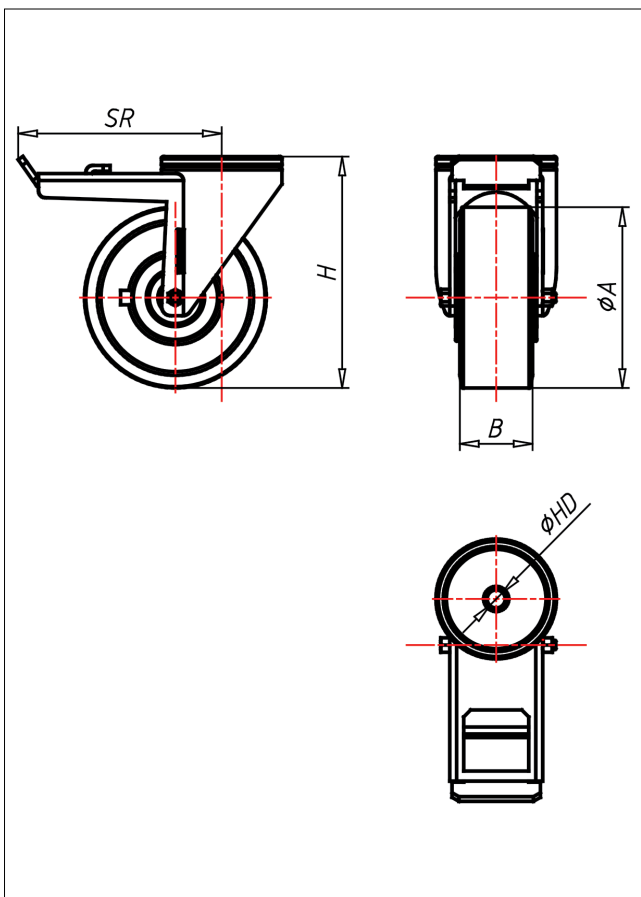
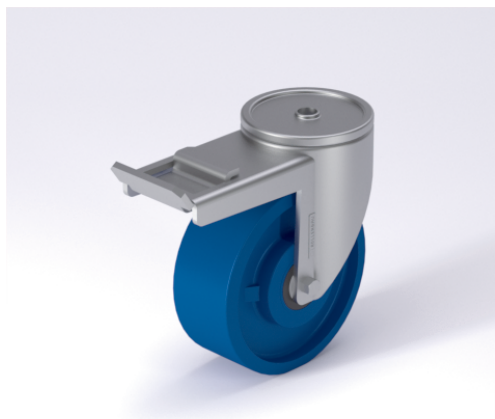




CRST/CRT-TLSK

Lenkrolle mit Totalfeststeller



CR-TLS



NEU!

| Lenkrolle Swivel Castor | Lenkrolle mit Totalfeststeller Swivel Castor with total lock | |
|--------------------------------------------------------------------------------------------------------------------------------------------------------------------------------------------------------------------------------------------------------------------------------------------------------------------------------------------------------|----------------------------------------------------------------------------------------------------------------------------------|----------------------------------------------------------------------------------------------------------------------------------------------------------------------------------------------------------------------------------------------------------------------------------------------------------------------------------------------------------------------------------------------------------------------------------------------------------------------------------------------------------------------------------------------------------------------------------------------------------------------------------------------------------------------------------------|
| | | |
| <ul style="list-style-type: none"> sehr laufruhig geringer Rollwiderstand abrieb- und weillust hohe Stoßfestigkeit leichte Reinigung sehr beständig gegen viele aggressive Medien <p>Guss-Polyurethan 70x3 Shore A weich Felle Spritzguss-Aluminium-Legierung → Seite/Page 322</p> | <p>zweifaches Kugellager – vernietet Stahlkugeln gehärtet, Radnabe verschraubt, verzinkt</p> <p>→ Seite/Page 112</p> | <p>Auswahlhilfe Selection Criteria</p> <p>leicht lenkbar/swivel easily <input type="checkbox"/> <input checked="" type="checkbox"/> <input checked="" type="checkbox"/></p> <p>verschleißarm/wear resistant <input type="checkbox"/> <input type="checkbox"/> <input checked="" type="checkbox"/></p> <p>stoßfest/shock proof <input type="checkbox"/> <input type="checkbox"/> <input checked="" type="checkbox"/></p> <p>bodenschonend/floor protection <input type="checkbox"/> <input type="checkbox"/> <input checked="" type="checkbox"/></p> <p>witterungsbeständig/weather proof <input type="checkbox"/> <input type="checkbox"/> <input checked="" type="checkbox"/></p> |

Technische Details

| | |
|--------------------------------|---------------|
| ORDERNO (Artikel-nummer) | CRST 125 TLSK |
| WDAB (Rad-Ø A x Breite B / mm) | 125x50 |
| LC (Tragkraft / kg) | 200 |
| H (Bauhöhe H / mm) | 160 |
| HD (Loch-Ø / mm) | 12.5 |
| SR (Schwenkradius / mm) | 140 |
| WB () | Kugellager |