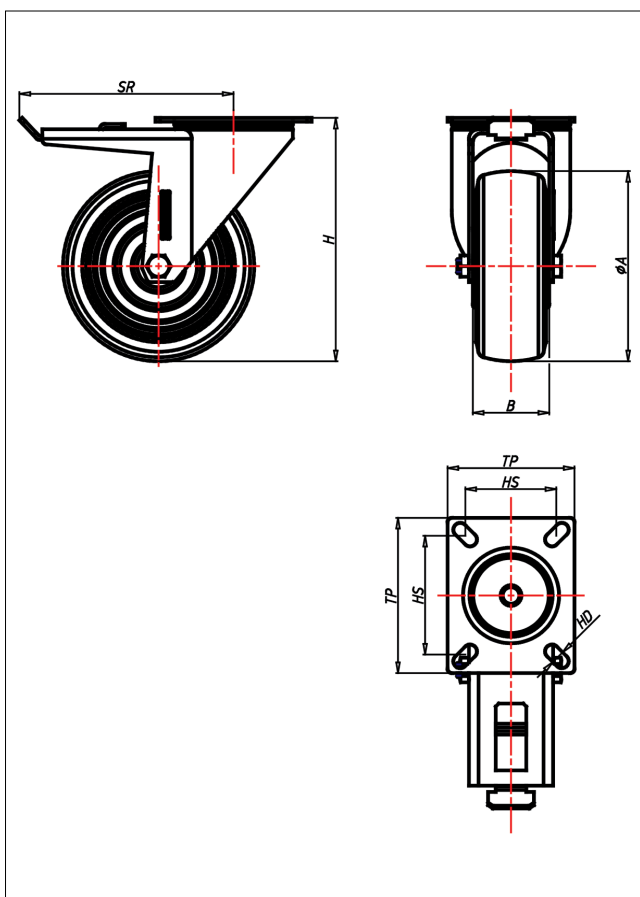




# CDT/CST/CSST-AELK

## Lenkrolle mit Totalfeststeller



CD-AEL



| LENKROLLE  | LENKROLLE MIT TOTALFESTSTELLER   | BOCKROLLE   |                       |                       |                                  |                       |                       |               |                       |                                  |                       |                       |          |                       |                                  |                       |                       |               |                       |                                  |                       |                       |                     |                                  |                       |                       |                       |
|--|--|---|-----------------------|-----------------------|----------------------------------|-----------------------|-----------------------|---------------|-----------------------|----------------------------------|-----------------------|-----------------------|----------|-----------------------|----------------------------------|-----------------------|-----------------------|---------------|-----------------------|----------------------------------|-----------------------|-----------------------|---------------------|----------------------------------|-----------------------|-----------------------|-----------------------|
|  <ul style="list-style-type: none"> <li>• elektrisch leitfähig</li> <li>• geräuscharmer Lauf</li> <li>• geringer Rollwiderstand</li> <li>• spurfrei</li> <li>• hohe Stoßfestigkeit</li> <li>• sehr beständig gegen viele aggressive Medien</li> </ul> <p>Polyurethan<br/>Felge Polyamid 6<br/>→ Seite 255</p>  |  <ul style="list-style-type: none"> <li>• zweifaches Kugellager - vernietet</li> <li>• Stahlkugeln gehärtet</li> <li>• Dichtungsring</li> <li>• Radachse verschraubt, verzinkt-chrompassiviert</li> </ul> <p>→ Seite 62</p> |  <p>AUSWAHLHILFE:</p> <table border="0"> <tr> <td>leicht lenkend</td> <td><input type="radio"/></td> <td><input checked="" type="radio"/></td> <td><input type="radio"/></td> <td><input type="radio"/></td> </tr> <tr> <td>verschleißarm</td> <td><input type="radio"/></td> <td><input checked="" type="radio"/></td> <td><input type="radio"/></td> <td><input type="radio"/></td> </tr> <tr> <td>stoßfest</td> <td><input type="radio"/></td> <td><input checked="" type="radio"/></td> <td><input type="radio"/></td> <td><input type="radio"/></td> </tr> <tr> <td>bodenschonend</td> <td><input type="radio"/></td> <td><input checked="" type="radio"/></td> <td><input type="radio"/></td> <td><input type="radio"/></td> </tr> <tr> <td>witterungsbeständig</td> <td><input checked="" type="radio"/></td> <td><input type="radio"/></td> <td><input type="radio"/></td> <td><input type="radio"/></td> </tr> </table> | leicht lenkend        | <input type="radio"/> | <input checked="" type="radio"/> | <input type="radio"/> | <input type="radio"/> | verschleißarm | <input type="radio"/> | <input checked="" type="radio"/> | <input type="radio"/> | <input type="radio"/> | stoßfest | <input type="radio"/> | <input checked="" type="radio"/> | <input type="radio"/> | <input type="radio"/> | bodenschonend | <input type="radio"/> | <input checked="" type="radio"/> | <input type="radio"/> | <input type="radio"/> | witterungsbeständig | <input checked="" type="radio"/> | <input type="radio"/> | <input type="radio"/> | <input type="radio"/> |
| leicht lenkend   | <input type="radio"/>  | <input checked="" type="radio"/>  | <input type="radio"/> | <input type="radio"/> |                                  |                       |                       |               |                       |                                  |                       |                       |          |                       |                                  |                       |                       |               |                       |                                  |                       |                       |                     |                                  |                       |                       |                       |
| verschleißarm  | <input type="radio"/>  | <input checked="" type="radio"/>  | <input type="radio"/> | <input type="radio"/> |                                  |                       |                       |               |                       |                                  |                       |                       |          |                       |                                  |                       |                       |               |                       |                                  |                       |                       |                     |                                  |                       |                       |                       |
| stoßfest   | <input type="radio"/>  | <input checked="" type="radio"/>  | <input type="radio"/> | <input type="radio"/> |                                  |                       |                       |               |                       |                                  |                       |                       |          |                       |                                  |                       |                       |               |                       |                                  |                       |                       |                     |                                  |                       |                       |                       |
| bodenschonend  | <input type="radio"/>  | <input checked="" type="radio"/>  | <input type="radio"/> | <input type="radio"/> |                                  |                       |                       |               |                       |                                  |                       |                       |          |                       |                                  |                       |                       |               |                       |                                  |                       |                       |                     |                                  |                       |                       |                       |
| witterungsbeständig  | <input checked="" type="radio"/>   | <input type="radio"/>   | <input type="radio"/> | <input type="radio"/> |                                  |                       |                       |               |                       |                                  |                       |                       |          |                       |                                  |                       |                       |               |                       |                                  |                       |                       |                     |                                  |                       |                       |                       |

### Technische Details

|                                       |              |
|---------------------------------------|--------------|
| <b>ORDERNO (Artikel-nummer)</b>       | CST 100 AELK |
| <b>WDAB (Rad-Ø A x Breite B / mm)</b> | 100x32       |
| <b>LC (Tragkraft / kg)</b>            | 150          |
| <b>H (Bauhöhe H / mm)</b>             | 129          |
| <b>TP (Plattengröße / mm)</b>         | 102x83       |
| <b>HS (Lochabstand / mm)</b>          | 80x60        |
| <b>HD (Loch-Ø / mm)</b>               | 9            |
| <b>SR (Schwenkradius / mm)</b>        | 140          |
| <b>WB (Radlager)</b>                  | Kugellager   |