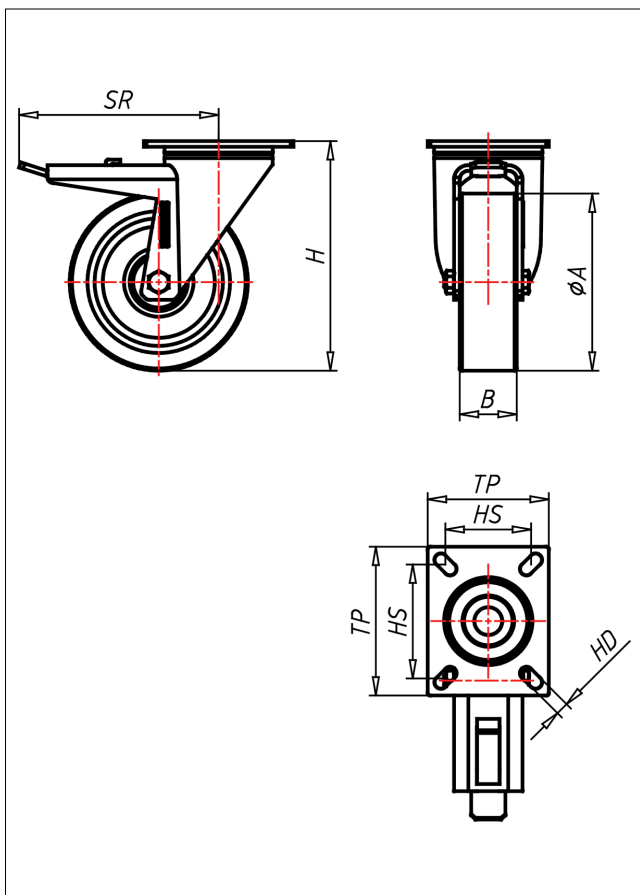
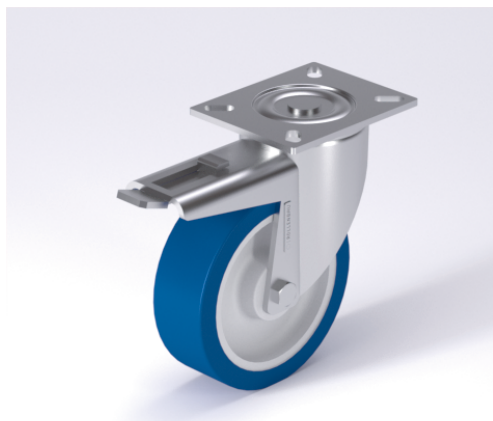




IPT/IPST-PSKX

Lenkrolle mit Totalfeststeller



IP-PS

+80 °C
-30 °C
max. 600 kg

| IP-PS | IP-PS | IP-PS | | | | | | | | | | | | | | | | | | | | |
|---|--|---|-------------------------------------|--------------------------|-------------------------------------|-------------------------------------|------------------------------|--------------------------|-------------------------------------|-------------------------------------|--------------------|--------------------------|-------------------------------------|-------------------------------------|--------------------------------|--------------------------|-------------------------------------|-------------------------------------|-----------------------------------|--------------------------|-------------------------------------|-------------------------------------|
| Lenkrolle Swivel Castor | Lenkrolle mit Totalfeststeller Swivel Castor with total lock | Bockrolle Fixed Castor | | | | | | | | | | | | | | | | | | | | |
| <p>NEU!</p> <ul style="list-style-type: none"> sehr laufruhig geringer Rollwiderstand abrieb- und weildfest hohe Stoßfestigkeit leichte Reinigung sehr beständig gegen viele aggressive Medien <p>Polyurethan 87±3 Shore A weich Folge Polyamid 6 → Seite/Page 338</p> | <p>Gehäuse aus Edelstahl AISI 304, eingekletterter Zentralzapfen aus Edelstahl AISI 304, verschraubt, Wasser- und Staubabdichtungsring</p> <p>→ Seite/Page 184</p> | <p>Auswahlhilfe Selection Criteria</p> <table border="1"> <tr> <td>leicht lenkbar/swivels easily</td> <td><input type="checkbox"/></td> <td><input checked="" type="checkbox"/></td> <td><input checked="" type="checkbox"/></td> </tr> <tr> <td>verschleißarm/wear resistant</td> <td><input type="checkbox"/></td> <td><input checked="" type="checkbox"/></td> <td><input checked="" type="checkbox"/></td> </tr> <tr> <td>stillehd/lock good</td> <td><input type="checkbox"/></td> <td><input checked="" type="checkbox"/></td> <td><input checked="" type="checkbox"/></td> </tr> <tr> <td>bodenschonend/floor protection</td> <td><input type="checkbox"/></td> <td><input checked="" type="checkbox"/></td> <td><input checked="" type="checkbox"/></td> </tr> <tr> <td>witterungsbeständig/weather proof</td> <td><input type="checkbox"/></td> <td><input checked="" type="checkbox"/></td> <td><input checked="" type="checkbox"/></td> </tr> </table> | leicht lenkbar/swivels easily | <input type="checkbox"/> | <input checked="" type="checkbox"/> | <input checked="" type="checkbox"/> | verschleißarm/wear resistant | <input type="checkbox"/> | <input checked="" type="checkbox"/> | <input checked="" type="checkbox"/> | stillehd/lock good | <input type="checkbox"/> | <input checked="" type="checkbox"/> | <input checked="" type="checkbox"/> | bodenschonend/floor protection | <input type="checkbox"/> | <input checked="" type="checkbox"/> | <input checked="" type="checkbox"/> | witterungsbeständig/weather proof | <input type="checkbox"/> | <input checked="" type="checkbox"/> | <input checked="" type="checkbox"/> |
| leicht lenkbar/swivels easily | <input type="checkbox"/> | <input checked="" type="checkbox"/> | <input checked="" type="checkbox"/> | | | | | | | | | | | | | | | | | | | |
| verschleißarm/wear resistant | <input type="checkbox"/> | <input checked="" type="checkbox"/> | <input checked="" type="checkbox"/> | | | | | | | | | | | | | | | | | | | |
| stillehd/lock good | <input type="checkbox"/> | <input checked="" type="checkbox"/> | <input checked="" type="checkbox"/> | | | | | | | | | | | | | | | | | | | |
| bodenschonend/floor protection | <input type="checkbox"/> | <input checked="" type="checkbox"/> | <input checked="" type="checkbox"/> | | | | | | | | | | | | | | | | | | | |
| witterungsbeständig/weather proof | <input type="checkbox"/> | <input checked="" type="checkbox"/> | <input checked="" type="checkbox"/> | | | | | | | | | | | | | | | | | | | |

Technische Details

| | |
|--------------------------------|---------------|
| ORDERNO (Artikelnummer) | IPST 100 PSKX |
| WDAB (Rad-Ø A x Breite B / mm) | 100x40 |
| LC (Tragkraft / kg) | 250 |
| H (Bauhöhe H / mm) | 137 |
| TP (Plattengröße / mm) | 135x110 |
| HS (Lochabstand / mm) | 105x80 |
| HD (Loch-Ø / mm) | 11 |
| SR (Schwenkradius / mm) | 170 |
| WB (Radlager) | Rollenlager |