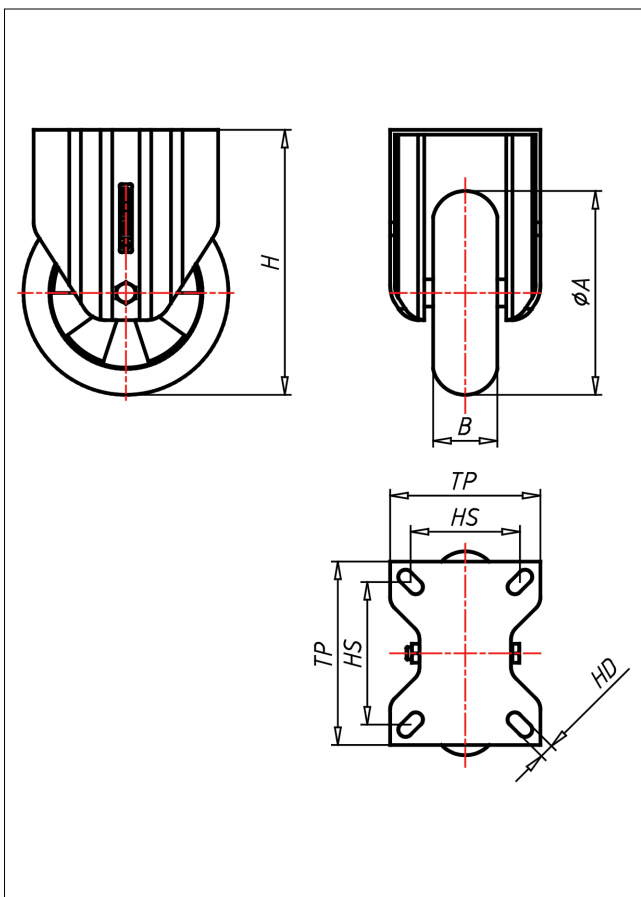
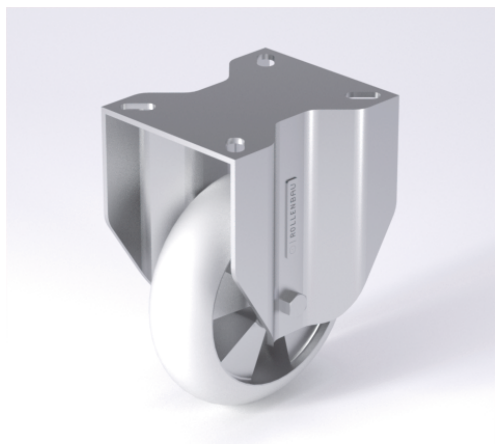




# KDF/KSF-EGBAK

## Bockrolle



### KD-EGBA



| NEU!  | Lenkrolle<br>Swivel Castor  | Lenkrolle mit Totalfeststeller<br>Swivel Castor with total lock  | Bockrolle<br>Fixed Castor           |                          |                                     |                                     |                              |                          |                                     |                                     |                      |                          |                                     |                                     |                                |                          |                                     |                                     |                                   |                                     |                                     |                                     |
|---|---|--|-------------------------------------|--------------------------|-------------------------------------|-------------------------------------|------------------------------|--------------------------|-------------------------------------|-------------------------------------|----------------------|--------------------------|-------------------------------------|-------------------------------------|--------------------------------|--------------------------|-------------------------------------|-------------------------------------|-----------------------------------|-------------------------------------|-------------------------------------|-------------------------------------|
| <ul style="list-style-type: none"> <li>sehr geräuscharmer Lauf</li> <li>sehr geringer Rollwiderstand</li> <li>abriebfest</li> <li>korrosionsbeständig</li> <li>Alternative zu Luftreifen</li> <li>SPURTRICK</li> </ul> <p>Elastik-Vollgummiläufen 55 ± 3 Shore A ballig<br/>Felle aus Spritzguss-Aluminium-Legierung<br/>→ Seite/Page 345</p> | <p>Laufkugeln gehärtet, Kugelbahnen gepresst, starker Zentralzapfen<br/>verschraubt - gedichtet - gesichert<br/>Staubschutzring, verzinkt</p> <p>→ Seite/Page 112</p> | <p>Auswahlhilfe<br/>Selection Criteria</p> <table border="0"> <tr> <td>leicht lenkbar/swivels easily</td> <td><input type="checkbox"/></td> <td><input checked="" type="checkbox"/></td> <td><input checked="" type="checkbox"/></td> </tr> <tr> <td>verschleißarm/wear resistant</td> <td><input type="checkbox"/></td> <td><input checked="" type="checkbox"/></td> <td><input checked="" type="checkbox"/></td> </tr> <tr> <td>staubfest/dust proof</td> <td><input type="checkbox"/></td> <td><input checked="" type="checkbox"/></td> <td><input checked="" type="checkbox"/></td> </tr> <tr> <td>bodenschonend/floor protective</td> <td><input type="checkbox"/></td> <td><input checked="" type="checkbox"/></td> <td><input checked="" type="checkbox"/></td> </tr> <tr> <td>witterungsbeständig/weather proof</td> <td><input checked="" type="checkbox"/></td> <td><input checked="" type="checkbox"/></td> <td><input checked="" type="checkbox"/></td> </tr> </table> | leicht lenkbar/swivels easily       | <input type="checkbox"/> | <input checked="" type="checkbox"/> | <input checked="" type="checkbox"/> | verschleißarm/wear resistant | <input type="checkbox"/> | <input checked="" type="checkbox"/> | <input checked="" type="checkbox"/> | staubfest/dust proof | <input type="checkbox"/> | <input checked="" type="checkbox"/> | <input checked="" type="checkbox"/> | bodenschonend/floor protective | <input type="checkbox"/> | <input checked="" type="checkbox"/> | <input checked="" type="checkbox"/> | witterungsbeständig/weather proof | <input checked="" type="checkbox"/> | <input checked="" type="checkbox"/> | <input checked="" type="checkbox"/> |
| leicht lenkbar/swivels easily   | <input type="checkbox"/>  | <input checked="" type="checkbox"/>  | <input checked="" type="checkbox"/> |                          |                                     |                                     |                              |                          |                                     |                                     |                      |                          |                                     |                                     |                                |                          |                                     |                                     |                                   |                                     |                                     |                                     |
| verschleißarm/wear resistant  | <input type="checkbox"/>  | <input checked="" type="checkbox"/>  | <input checked="" type="checkbox"/> |                          |                                     |                                     |                              |                          |                                     |                                     |                      |                          |                                     |                                     |                                |                          |                                     |                                     |                                   |                                     |                                     |                                     |
| staubfest/dust proof  | <input type="checkbox"/>  | <input checked="" type="checkbox"/>  | <input checked="" type="checkbox"/> |                          |                                     |                                     |                              |                          |                                     |                                     |                      |                          |                                     |                                     |                                |                          |                                     |                                     |                                   |                                     |                                     |                                     |
| bodenschonend/floor protective  | <input type="checkbox"/>  | <input checked="" type="checkbox"/>  | <input checked="" type="checkbox"/> |                          |                                     |                                     |                              |                          |                                     |                                     |                      |                          |                                     |                                     |                                |                          |                                     |                                     |                                   |                                     |                                     |                                     |
| witterungsbeständig/weather proof   | <input checked="" type="checkbox"/>   | <input checked="" type="checkbox"/>  | <input checked="" type="checkbox"/> |                          |                                     |                                     |                              |                          |                                     |                                     |                      |                          |                                     |                                     |                                |                          |                                     |                                     |                                   |                                     |                                     |                                     |

### Technische Details

|                                       |               |
|---------------------------------------|---------------|
| <b>ORDERNO (Artikel-nummer)</b>       | KSF 160 EGBAK |
| <b>WDAB (Rad-Ø A x Breite B / mm)</b> | 160x50        |
| <b>LC (Tragkraft / kg)</b>            | 270           |
| <b>H (Bauhöhe H / mm)</b>             | 207           |
| <b>TP (Plattengröße / mm)</b>         | 135x110       |
| <b>HS (Lochabstand / mm)</b>          | 105x80        |
| <b>HD (Loch-Ø / mm)</b>               | 12.5          |
| <b>SR (Schwenkradius / mm)</b>        | 138           |
| <b>WB (Radlager)</b>                  | Kugellager    |