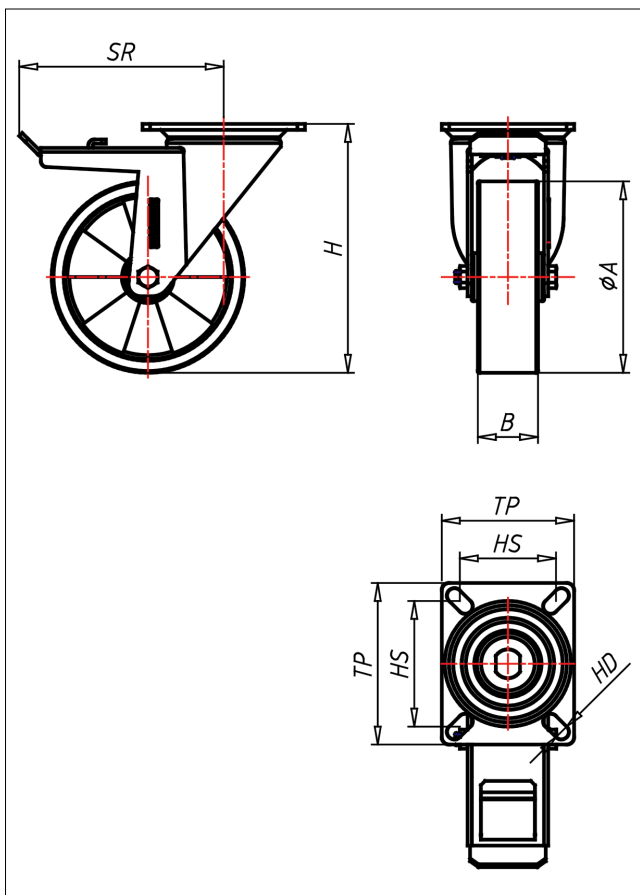
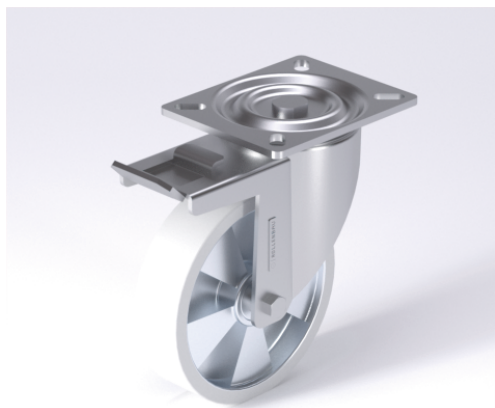




PDT/PST-TLELK

Lenkrolle mit Totalfeststeller



PD-TLEL



NEU!

| Lenkrolle Swivel Castor | Lenkrolle mit Totalfeststeller Swivel Castor with total lock | Bockrolle Fixed Castor | | | | | | | | | | | | | | | | | | | | | | | | | |
|--|--|---|-------------------------------|--------------------------|-------------------------------------|--------------------------|--------------------------|------------------------------|--------------------------|-------------------------------------|--------------------------|--------------------------|-----------------------|--------------------------|-------------------------------------|--------------------------|--------------------------|--------------------------------|--------------------------|-------------------------------------|--------------------------|--------------------------|-----------------------------------|--------------------------|-------------------------------------|--------------------------|--------------------------|
| <ul style="list-style-type: none"> elektrisch leitfähig geräuscharmer Lauf geringer Rollwiderstand abrieb- und rillfest spurfrei sehr beständig gegen viele aggressive Medien <p>Guss-Polyurethan 95 Shore A Folge Spritzguss-Aluminium-Legierung → Seite/Page 334</p> | <ul style="list-style-type: none"> gehärtete Stahlkugeln, zweifache Kugelbahnen aus gehärtetem Stahlblech, mit starkem Zentralzapfen verschraubt und gesichert - nachstellbar <p>→ Seite/Page 84</p> | <p>Auswahlhilfe Selection Criteria</p> <table border="1"> <tr> <td>leicht lenkbar/swivels easily</td> <td><input type="checkbox"/></td> <td><input checked="" type="checkbox"/></td> <td><input type="checkbox"/></td> <td><input type="checkbox"/></td> </tr> <tr> <td>verschleißarm/wear resistant</td> <td><input type="checkbox"/></td> <td><input checked="" type="checkbox"/></td> <td><input type="checkbox"/></td> <td><input type="checkbox"/></td> </tr> <tr> <td>stofffest/bleed proof</td> <td><input type="checkbox"/></td> <td><input checked="" type="checkbox"/></td> <td><input type="checkbox"/></td> <td><input type="checkbox"/></td> </tr> <tr> <td>bodenschonend/floor protection</td> <td><input type="checkbox"/></td> <td><input checked="" type="checkbox"/></td> <td><input type="checkbox"/></td> <td><input type="checkbox"/></td> </tr> <tr> <td>witterungsbeständig/weather proof</td> <td><input type="checkbox"/></td> <td><input checked="" type="checkbox"/></td> <td><input type="checkbox"/></td> <td><input type="checkbox"/></td> </tr> </table> | leicht lenkbar/swivels easily | <input type="checkbox"/> | <input checked="" type="checkbox"/> | <input type="checkbox"/> | <input type="checkbox"/> | verschleißarm/wear resistant | <input type="checkbox"/> | <input checked="" type="checkbox"/> | <input type="checkbox"/> | <input type="checkbox"/> | stofffest/bleed proof | <input type="checkbox"/> | <input checked="" type="checkbox"/> | <input type="checkbox"/> | <input type="checkbox"/> | bodenschonend/floor protection | <input type="checkbox"/> | <input checked="" type="checkbox"/> | <input type="checkbox"/> | <input type="checkbox"/> | witterungsbeständig/weather proof | <input type="checkbox"/> | <input checked="" type="checkbox"/> | <input type="checkbox"/> | <input type="checkbox"/> |
| leicht lenkbar/swivels easily | <input type="checkbox"/> | <input checked="" type="checkbox"/> | <input type="checkbox"/> | <input type="checkbox"/> | | | | | | | | | | | | | | | | | | | | | | | |
| verschleißarm/wear resistant | <input type="checkbox"/> | <input checked="" type="checkbox"/> | <input type="checkbox"/> | <input type="checkbox"/> | | | | | | | | | | | | | | | | | | | | | | | |
| stofffest/bleed proof | <input type="checkbox"/> | <input checked="" type="checkbox"/> | <input type="checkbox"/> | <input type="checkbox"/> | | | | | | | | | | | | | | | | | | | | | | | |
| bodenschonend/floor protection | <input type="checkbox"/> | <input checked="" type="checkbox"/> | <input type="checkbox"/> | <input type="checkbox"/> | | | | | | | | | | | | | | | | | | | | | | | |
| witterungsbeständig/weather proof | <input type="checkbox"/> | <input checked="" type="checkbox"/> | <input type="checkbox"/> | <input type="checkbox"/> | | | | | | | | | | | | | | | | | | | | | | | |

Technische Details

| | |
|--------------------------------|---------------|
| ORDERNO (Artikelnummer) | PDT 150 TLELK |
| WDAB (Rad-Ø A x Breite B / mm) | 150x40 |
| LC (Tragkraft / kg) | 400 |
| H (Bauhöhe H / mm) | 195 |
| TP (Plattengröße / mm) | 135x110 |
| HS (Lochabstand / mm) | 105x80 |
| HD (Loch-Ø / mm) | 10.5 |
| SR (Schwenkradius / mm) | 140 |
| WB (Radlager) | Kugellager |